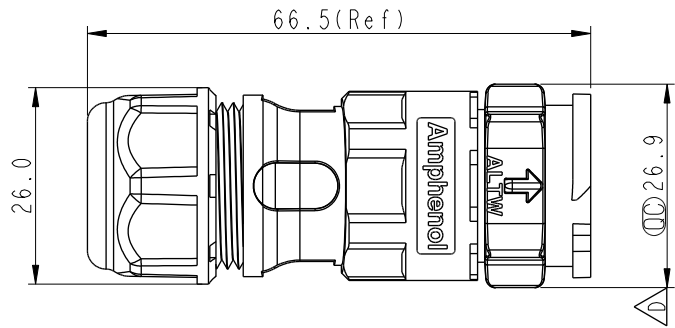
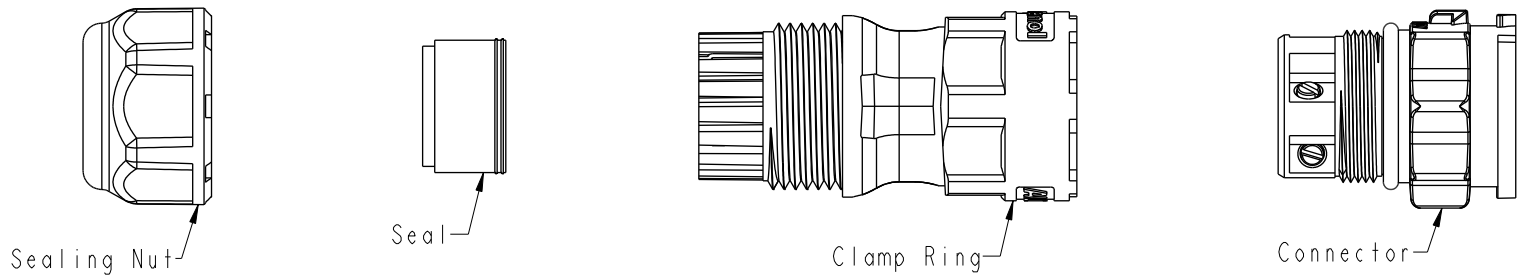


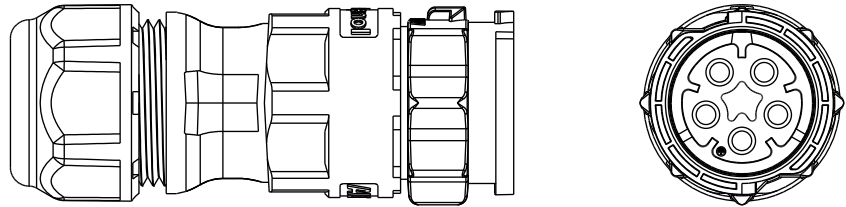
THIS DOCUMENT IS SUBJECT TO CHANGE WITHOUT NOTICE. IT IS CONFIDENTIAL AND A PROPERTY OF Amphenol LTW. DISCLOSURE TO THIRD PARTY HAS TO BE AUTHORIZED BY Amphenol LTW.

REV.	ECN NO.	DATE	SIGN	DESCRIPTION
E	C210786	2021/06/06	Angel Chou	△E X5
F	C220464	2022/04/07	Ruru	△E X4
G	C230119	2023/02/08	Vicky	△G X1



DC-XXBMFB-QL8XPP  
 △B △F  
 XX: No. Of Pin

- S: With Red Color Seal 1, Cable OD 8.0~10.0mm.
- M: With Yellow Color Seal 2, Cable OD 10.0~12.0mm.
- L: With Blue Color Seal 3, Cable OD 12.0~14.0mm.
- A: With Seal 1 & Seal 2 & Seal 3.

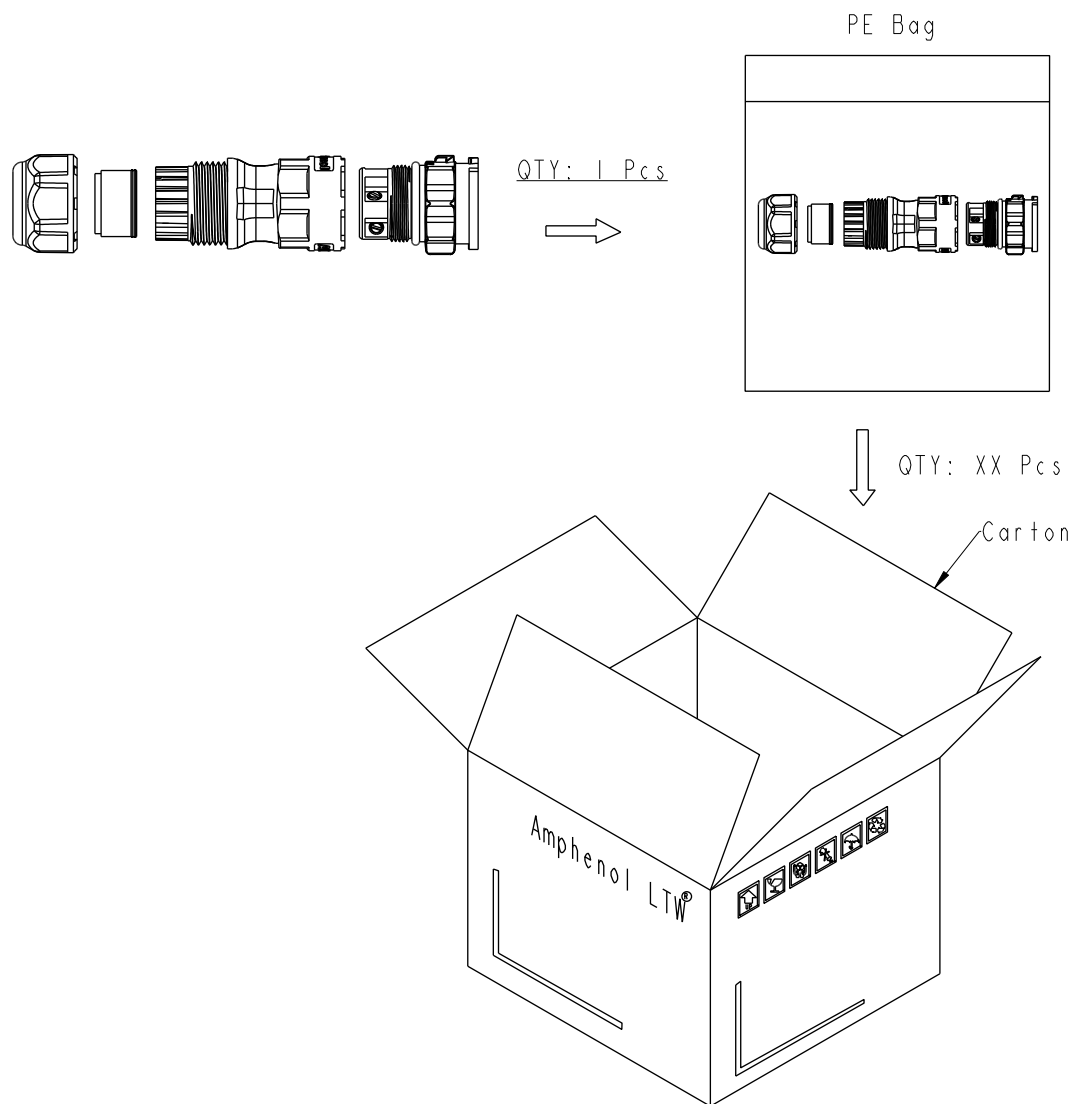


Pin Assignments Front View	△E	△E	△E	△E
2 Pin	3 Pin	4 Pin	5 Pin	

- Note: △D △E △F
- \* RoHS Compliant
  - \* ∅ Important dimension
  - △G \* Waterproof rate: IP68, mated 1m/24h
  - \* Connector
  - Housing: Thermoplastic, Black
  - Pin: Copper Alloy, Silver Plated
  - O-Ring: Rubber, Dark Gray
  - \* Clamp Ring: Thermoplastic, Black
  - \* Sealing Nut: Thermoplastic, Black
  - \* Seals: Rubber

UNIT:mm TOLERANCE ±0.5 mm	 	TITLE XLOK, D-20A, CABLE W/O SR M, F, FI SCREW IN, PUSH LOCK	△D △F	<h1>Amphenol LTW</h1> <p>安費諾亮泰企業股份有限公司</p>	ITEM NO DC-XXBMFB-QL8XPP	DRAWN BY Siou	DATE 2019-08-02	
		SCALE 8:5	SIZE A4		SHEET 1 OF 2	DWG NO DC-XXBMFB-QL8XPP	CHECKED BY Eagle	DATE 2019-08-02
		REV. G	WC-REV. A.3		QC: Inspection item	CUSTOMER ALTW	APPROVED BY Neo	DATE 2019-08-02

THIS DOCUMENT IS SUBJECT TO CHANGE WITHOUT NOTICE. IT IS CONFIDENTIAL AND A PROPERTY OF Amphenol LTW. DISCLOSURE TO THIRD PARTY HAS TO BE AUTHORIZED BY Amphenol LTW.



Note:  
 \* One Set Unassembled In One PE Bag.  
 (每一組未組裝，放置於一個PE袋，並封口，如圖示)  
 \* Label is Attached To PE Bag Front.  
 (標籤貼在PE袋正面)

UNIT:mm	
TOLERANCE ±0.5 mm	

TITLE XLOK, D-20A, CABLE W/O SR M, F, FI SCREW IN, PUSH LOCK				
SCALE 8:5	SIZE A4	SHEET 2 OF 2		
REV. G	WC-REV. A.3	QC: Inspection item		

**Amphenol LTW**  
 安費諾亮泰企業股份有限公司

ITEM NO	DRAWN BY Siou	DATE 2019-08-02
DWG NO DC-XXBMFB-QL8XPP	CHECKED BY Eagle	DATE 2019-08-02
CUSTOMER ALTW	APPROVED BY Neo	DATE 2019-08-02