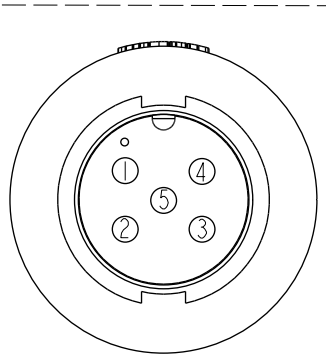
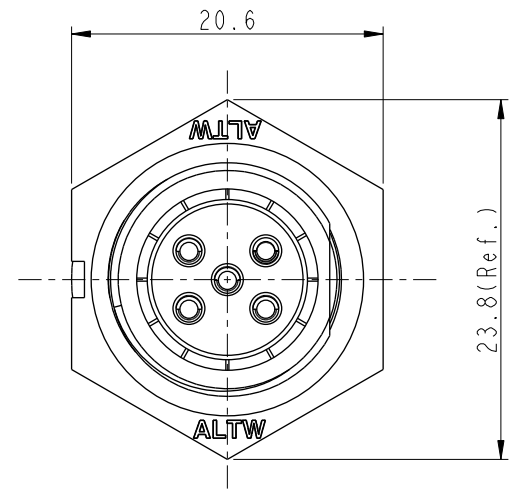
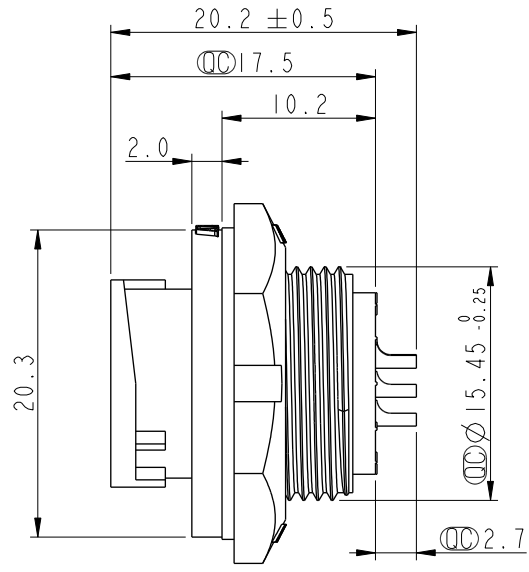
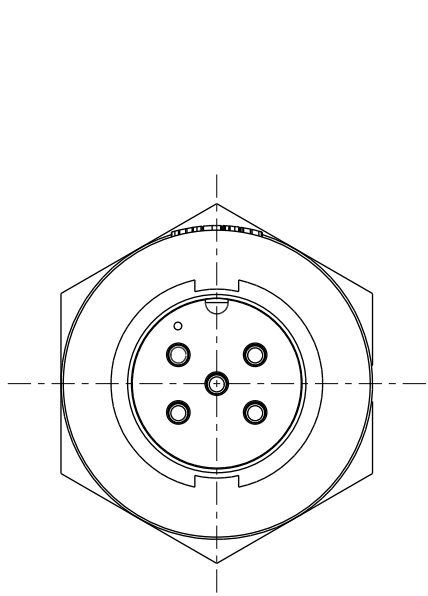
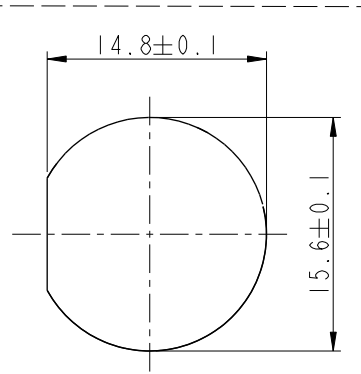


THIS DOCUMENT IS SUBJECT TO CHANGE WITHOUT NOTICE. IT IS CONFIDENTIAL AND A PROPERTY OF Amphenol LTW. DISCLOSURE TO THIRD PARTY HAS TO BE AUTHORIZED BY Amphenol LTW.

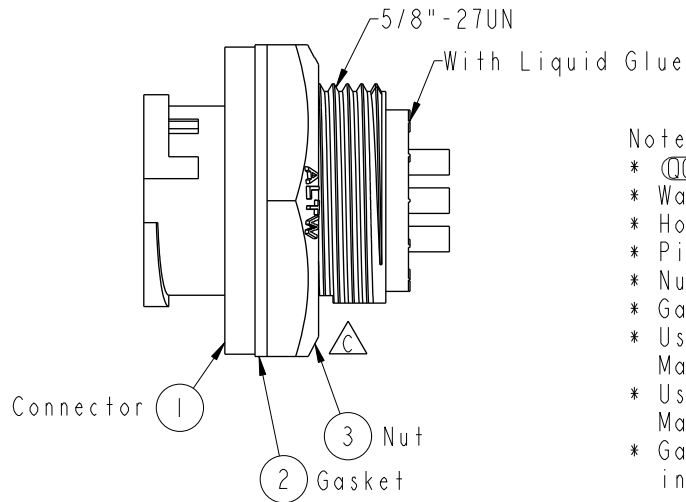
REV.	ECN NO.	DATE	SIGN	DESCRIPTION
A	Initial Release	2014/01/15	Aric	New Item.
B	C190315	2019/03/20	Ruru	Modify Note & Add QC Dimension
C	C240531	2024/05/20	Ruru	\triangle C X2



Pin Assignments
Front View



Recommended Panel
Cut-Out



- Note: \triangle B
- * CC Important Dimension
 - * Waterproof Rate: IP67, Unmated
 - * Housing: Thermoplastic, Black
 - * Pin: Copper Alloy, Gold Plated
 - * Nut: Thermoplastic, Black
 - * Gasket: Rubber, Gray
 - * Use with waterproof cap or dust cap
Maximum Panel Thickness: 2.3mm
 - * Use without waterproof cap or dust cap
Maximum Panel Thickness: 3.5mm
 - * Gasket and Nut are packed separately in PE bags

UNIT: mm			TITLE N CERES, ME, B-5A, 05P, REAR FASTENED M, M, SOLDER, 2LOCK
TOLERANCE .X ±0.25 .XX ±0.1 .XXX ±0.05 ANGLES ±1°	SCALE 2:1	SIZE A4	SHEET 1 OF 1
REV. C	WC-REV. A.3	CC : Inspection item	

Amphenol LTW
安費諾亮泰企業股份有限公司

ITEM NO. IBD-05RMMS-LC7001	DRAWN BY Ruru	DATE 2024-05-20
DWG NO. IBD-05RMMS-LC7001	CHECKED BY Rita	DATE 2024-05-20
CUSTOMER ALTW	APPROVED BY Fred	DATE 2024-05-20