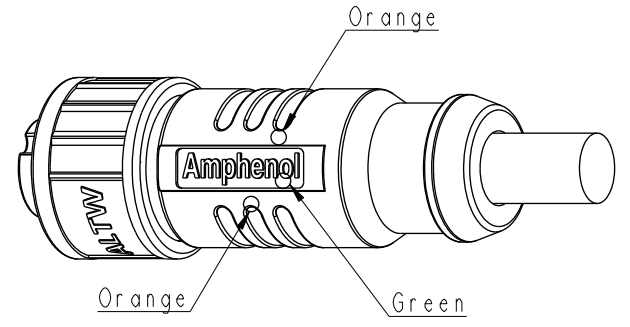
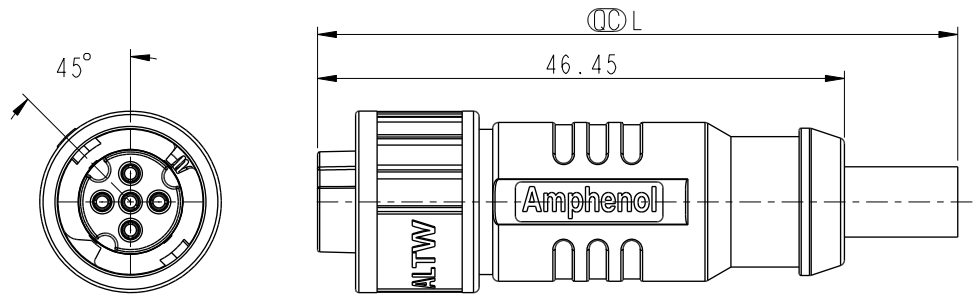
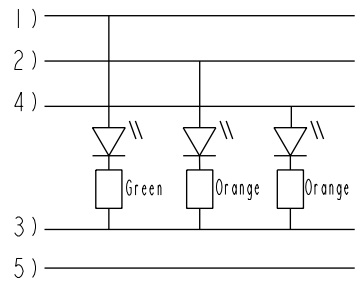


THIS DOCUMENT IS SUBJECT TO CHANGE WITHOUT NOTICE. IT IS CONFIDENTIAL AND A PROPERTY OF Amphenol LTW. DISCLOSURE TO THIRD PARTY HAS TO BE AUTHORIZED BY Amphenol LTW.

REV.	ECN NO.	DATE	SIGN	DESCRIPTION
A		2021-05-26	Sam Ho	Rev.01 to A, Initial Released
B	C230091	2023-02-02	Ruru	$\triangle B$ X2

5 Pin	PVC	6.2	20	LAD-05BFFM-QL8DXX
4 Pin		6.0		LAD-04BFFM-QL8DXX
3 Pin		5.5		LAD-03BFFM-QL8DXX
Contacts	Cable Jacket	Cable OD	AWG	Item No.



Note:

- * ϕL Important Dimension
- $\triangle B$ * Waterproof Rate: IP68, Mated 1m/24h
- * Connector

Housing: Thermoplastic, Black
 Pin: Copper Alloy, Gold Plated
 O-Ring: Rubber, Black
 Nut: Thermoplastic, Black
 Outer Mold: Thermoplastic, Transparent Black.

- * Cable: UL21388, PVC Jacket, Black
- * Cable Length Tolerance:

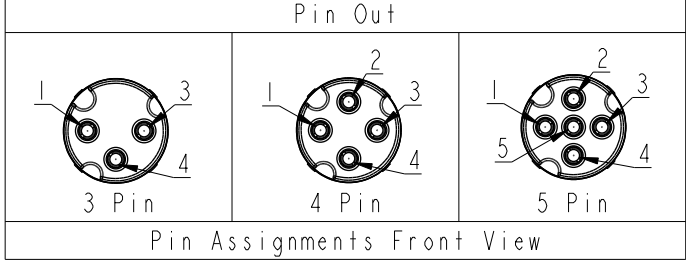
1M: +50/-0 mm
 1M < L ≤ 3M: +100/-0 mm
 3M < L ≤ 5M: +150/-0 mm
 5M < L ≤ 10M: ±100 mm
 10M < L ≤ 20M: ±200 mm
 20M < L ≤ 30M: ±300 mm
 30M < L ≤ 99M: ±500 mm

LAD- XX BFFM-QL8D XX

No. Of Pin

XX: L=0~99Meters
 01: L=1Meters
 02: L=2Meters
 :
 99: L=99Meters

5	-	5	-	5	Yellow	黃
4	Brown	4	Orange	4	Orange	橘
3	Red	3	Red	3	Red	紅
2	-	2	Brown	2	Brown	棕
1	Black	1	Black	1	Black	黑



UNIT:mm		TITLE
TOLERANCE	$\pm 0.50mm$	XLOK, LED-A-5A, CABLE W/O SR F, F, MOLDING, PUSH LOCK $\triangle B$
SCALE	3:2	SIZE A4
REV.	B	WC-REV.
		ϕL : Inspection item

Amphenol LTW
 安費諾亮泰企業股份有限公司

ITEM NO	DRAWN BY	DATE
	Sam Ho	2021-05-11
DWG NO	CHECKED BY	DATE
LAD-XXBFFM-QL8DXX	Fred Lee	2021-05-11
CUSTOMER	APPROVED BY	DATE
ALTW	Fred Lee	2021-05-11