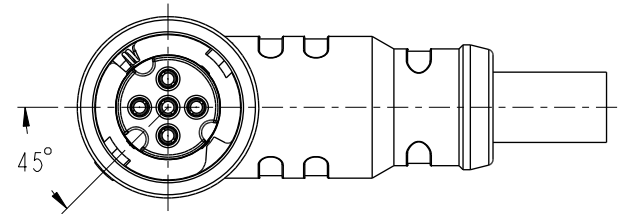
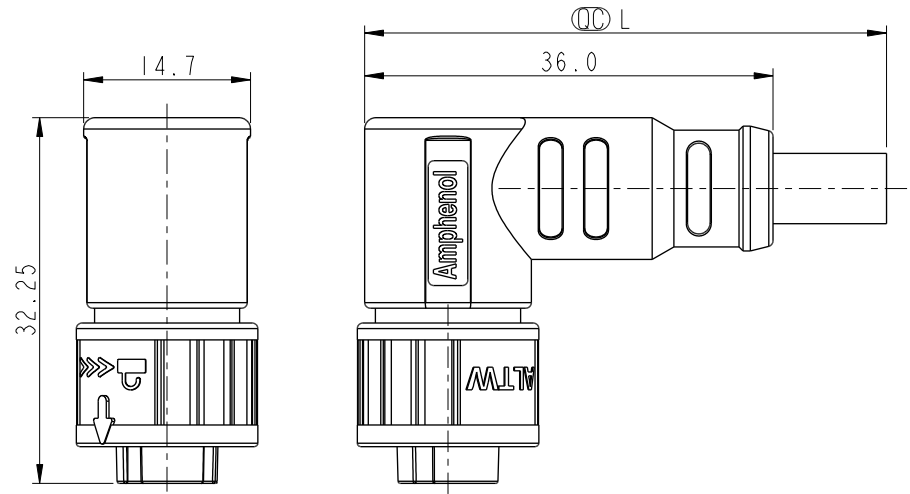
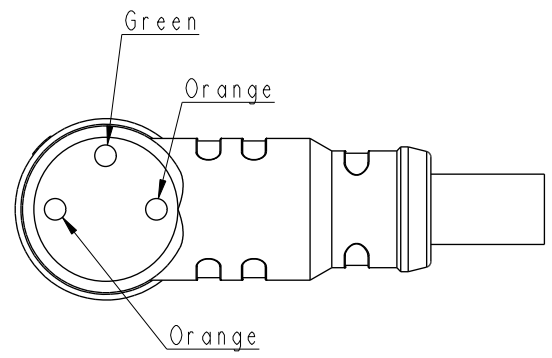
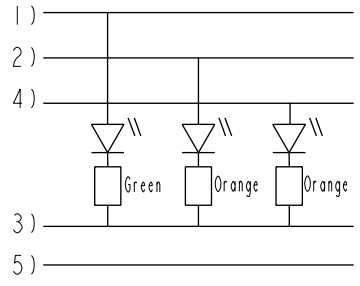


THIS DOCUMENT IS SUBJECT TO CHANGE WITHOUT NOTICE. IT IS CONFIDENTIAL AND A PROPERTY OF Amphenol LTW. DISCLOSURE TO THIRD PARTY HAS TO BE AUTHORIZED BY Amphenol LTW.

REV.	ECN NO.	DATE	SIGN	DESCRIPTION
A		2021-05-26	Sam Ho	Rev.01 to A, Initial Released
B	C221554	2022-09-30	Sam Ho	△B XI
C	C230091	2023-02-02	Ruru	△C XI

5 Pin	PVC	6.2	20	LAD-05BFFM-QR8DXX
4 Pin		6.0		LAD-04BFFM-QR8DXX
3 Pin		5.5		LAD-03BFFM-QR8DXX
Contacts	Cable Jacket	Cable OD	AWG	Item No.



Note:

- * \varnothing Important Dimension
- * △ Waterproof Rate: IP68, Mated 1m/24h
- * Connector

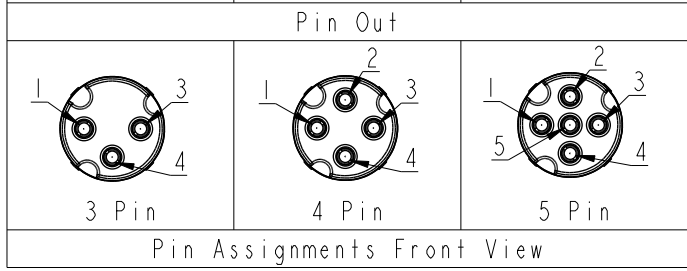
Housing: Thermoplastic, Black
Pin: Copper Alloy, Gold Plated
O-Ring: Rubber, Black
Nut: Thermoplastic, Black
Outer Mold: Thermoplastic, Transparent Black.

* Cable: UL21388, PVC Jacket, Black

* Cable Length Tolerance:

1M < L ≤ 3M:	+100/-0 mm
3M < L ≤ 5M:	+150/-0 mm
5M < L ≤ 10M:	±100 mm
10M < L ≤ 20M:	±200 mm
20M < L ≤ 30M:	±300 mm
30M < L ≤ 99M:	±500 mm

5	-	-	5	-	-	5	Yellow	黃
4	Brown	棕	4	Orange	橘	4	Orange	橘
3	Red	紅	3	Red	紅	3	Red	紅
2	-	-	2	Brown	棕	2	Brown	棕
1	Black	黑	1	Black	黑	1	Black	黑



LAD- XX BFFM-QR8D XX

No. Of Pin

XX: L=0~99Meters
01: L=1Meters
02: L=2Meters
⋮
99: L=99Meters

UNIT:mm		TITLE
TOLERANCE	$\pm 0.50\text{mm}$	XLOK, LED-A-5A, CABLE W/O SR F, F, MOLDING, PUSH LOCK △C
SCALE	3:2	SIZE A4
REV.	C	WC-REV.
		SHEET 1 OF 1
		QC: Inspection item

Amphenol LTW
安費諾亮泰企業股份有限公司

ITEM NO	DRAWN BY	DATE
	Sam Ho	2021-05-11
DWG NO	CHECKED BY	DATE
△B LAD-XXBFFM-QR8DXX	Fred Lee	2021-05-11
CUSTOMER	APPROVED BY	DATE
ALTW	Fred Lee	2021-05-11