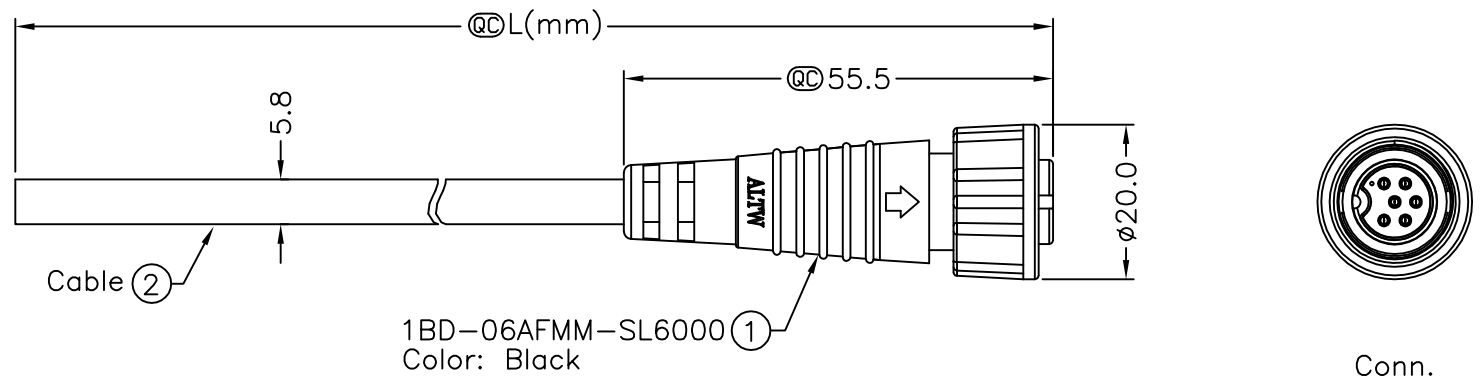


5	6	7	8
REV.	ECN NO.	DATE	SIGN

THIS DOCUMENT IS SUBJECT TO CHANGE WITHOUT NOTICE. IT IS CONFIDENTIAL AND A PROPERTY OF Amphenol LTW. DISCLOSURE TO THIRD PARTY HAS TO BE AUTHORIZED BY Amphenol LTW.

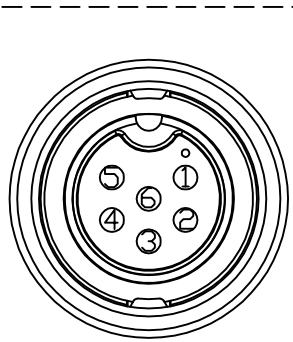


1BD-06AFMM-SL6AXX

XX :01~99Meters
 01 :01Meter
 02 :02Meters
 :
 :
 :
 99 :99Meters

Cable Length(L):01~99Meters

- Note :
- * @Q Important Dimension To Check.
 - * Waterproof Rate: IP66
 - * Housing: Nylon+GF, Black.
 - * Male Pin: Copper Alloy, Gold Plated.
 - * Cable: UL2464 24AWG*6C+D+AL/Wy
PVC Jacket UV Resistant, OD=5.8, Black.
 - * Cable Length Tolerance: 01M: ±40mm
02M~05M: ±60mm
06M~10M: ±100mm
11M~30M: ±200mm
31M~99M: ±500mm



Pin Assignments
Front View

6	White	白
5	Red	紅
4	Orange	橙
3	Yellow	黃
2	Green	綠
1	Blue	藍
Conn.	Wire Color	

Pin Out

UNIT:mm	
TOLERANCE	±0.5 mm

TITLE		STANDARD CNC PIN	
CABLE SCREW 6PIN F CONN M PIN			
SCALE	Free	SHEET	1 OF 1
REV.	A	SIZE	A4
		@QC :Inspection Item	

Amphenol LTW
 安費諾亮泰企業股份有限公司

ITEM NO	DRAWN BY	DATE
DWG NO	CHECKED BY	DATE
CUSTOMER	APPROVED BY	DATE
	Ruru	2013/11/28
1BD-06AFMM-SL6AXX	Tony	2013/11/28
ALTW	Victor	2013/11/28