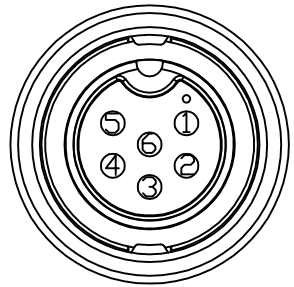
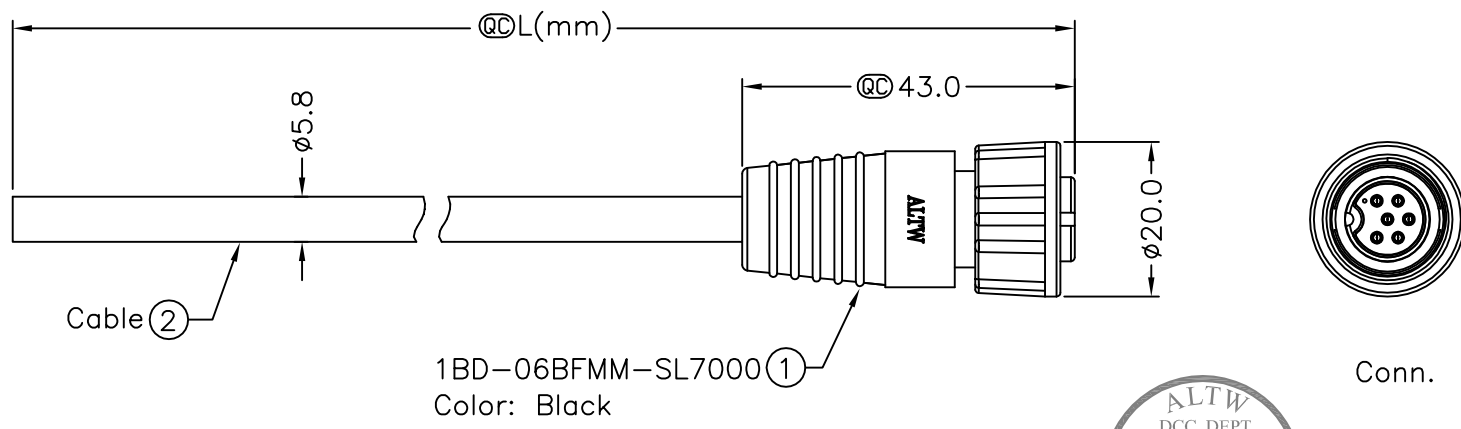


5	6	7	8
REV.	ECN NO.	DATE	SIGN

THIS DOCUMENT IS SUBJECT TO CHANGE WITHOUT NOTICE. IT IS CONFIDENTIAL AND A PROPERTY OF Amphenol LTW. DISCLOSURE TO THIRD PARTY HAS TO BE AUTHORIZED BY Amphenol LTW.



Pin Assignments Front View

6	White	白
5	Red	紅
4	Orange	橙
3	Yellow	黃
2	Green	綠
1	Blue	藍
Conn.	Wire Color	
	Pin Out	

1BD-06BFMM-SL7AXX
 XX :01~99Meters
 01 :01Meter
 02 :02Meters
 :
 :
 99 :99Meters
 Cable Length(L):01~99Meters

- Note :
- * @C Important Dimension To Check.
 - * Waterproof Rate: IP67
 - * Housing: Nylon+GF, Black.
 - * Male Pin: Copper Alloy, Gold Plated.
 - * Cable: UL2464 24AWG*6C+D+AL/Wy PVC Jacket UV Resistant, OD=5.8, Black.
 - * Cable Length Tolerance: 01M: ±40mm
 02M~05M: ±60mm
 06M~10M: ±100mm
 11M~30M: ±200mm
 31M~99M: ±500mm

UNIT:mm		TITLE	STANDARD CNC PIN	ITEM NO	DRAWN BY	Ruru	DATE	2013/11/29
TOLERANCE	±0.5 mm		CABLE SCREW 6INP F CONN M PIN	DWG NO	CHECKED BY	Tony	DATE	2013/11/29
		SCALE	Free		APPROVED BY	Victor	DATE	2013/11/29
		SHEET	1 OF 1	CUSTOMER	ALTW			
		REV.	A					
		SIZE	A4					
		@C	:Inspection Item					
1	2	3	4	5	6	7	8	FMWIG702-01-01A2

Amphenol LTW
 安費諾亮泰企業股份有限公司