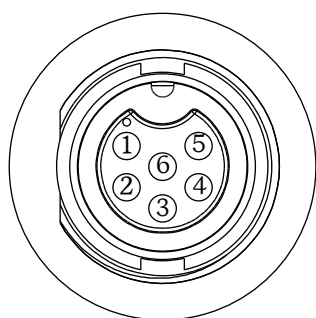
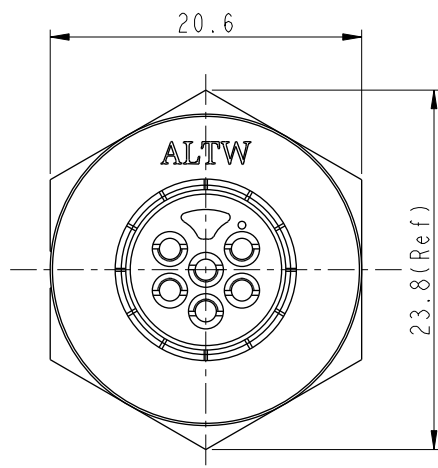
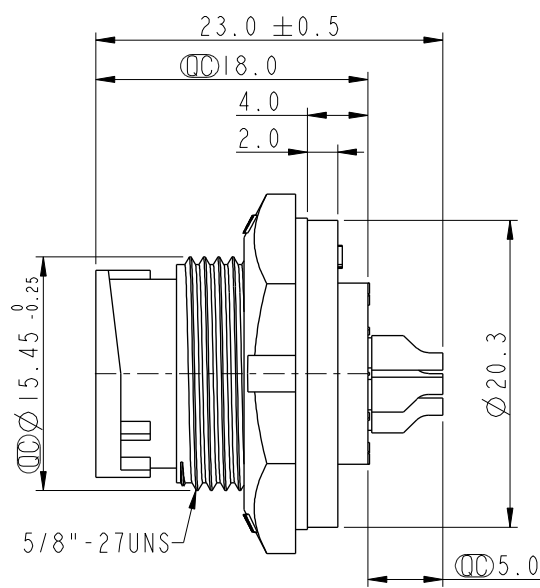
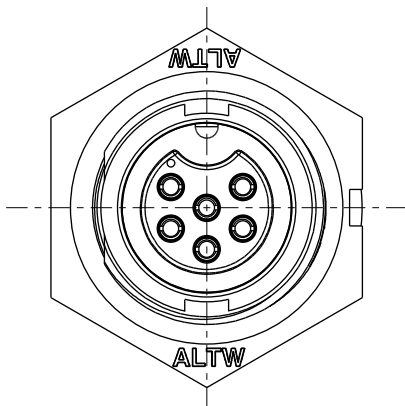


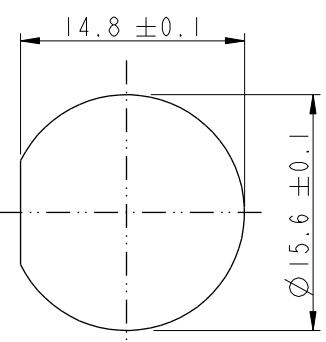
THIS DOCUMENT IS SUBJECT TO CHANGE WITHOUT NOTICE. IT IS CONFIDENTIAL AND A PROPERTY OF Amphenol LTW. DISCLOSURE TO THIRD PARTY HAS TO BE AUTHORIZED BY Amphenol LTW.

REV.	ECN NO.	DATE	SIGN	DESCRIPTION
A	Initial Release	2014-01-16	Galaxy	New Item.
B	CI90308	2019/03/20	Ruru	Modify Note & Add QC Dimension

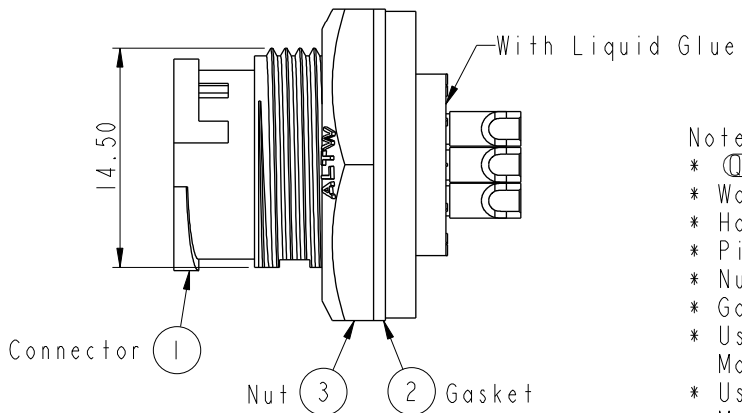
ALTW
 CONFIDENTIAL
 2019-03-20
 R&D DEPT.



Pin Assignments
Front View



Recommended Panel
Cut-Out



- Note: Important Dimension
- * Waterproof Rate: IP67, Unmated
 - * Housing: Thermoplastic, Black
 - * Pin: Copper Alloy, Gold Plated
 - * Nut: Thermoplastic, Black
 - * Gasket: Rubber, Gray
 - * Use with waterproof cap or dust cap
Maximum Panel Thickness: 2.8mm
 - * Use without waterproof cap or dust cap
Maximum Panel Thickness: 4.0mm
 - * Gasket and Nut are packed separately in PE bags

UNIT:mm TOLERANCE .X ±0.25 .XX ±0.1 .XXX ±0.05 ANGLES ±1°	TITLE STANDARD CNC PIN PANEL LOCK 6PIN M CONN F PIN		<h1>Amphenol LTW</h1> <h2>安費諾亮泰企業股份有限公司</h2>		ITEM NO IBD-06PMFS-LC7001	DRAWN BY Ruru	DATE 2019-03-20
	SCALE 2:1	SIZE A4	SHEET 1 OF 1	DWG NO IBD-06PMFS-LC7001	CHECKED BY Rita	DATE 2019-03-20	APPROVED BY Max
REV. B	WC-REV. A.3	Inspection item	CUSTOMER ALTW	APPROVED BY Max	DATE 2019-03-20		