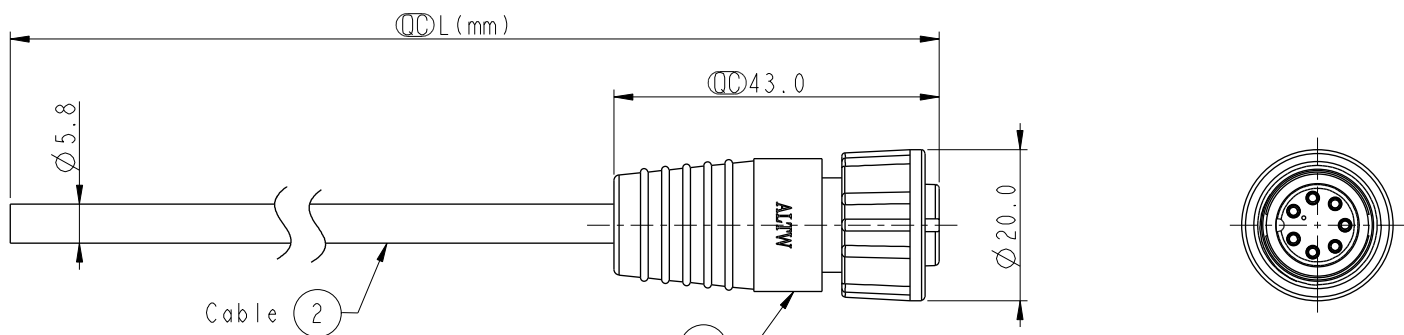
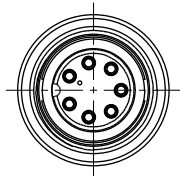


REV.	ECN NO.	DATE	SIGN	DESCRIPTION

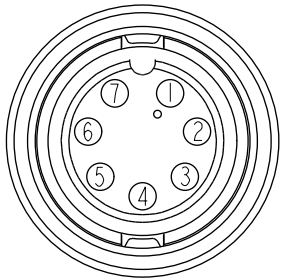
THIS DOCUMENT IS SUBJECT TO CHANGE WITHOUT NOTICE. IT IS CONFIDENTIAL AND A PROPERTY OF Amphenol LTW. DISCLOSURE TO THIRD PARTY HAS TO BE AUTHORIZED BY Amphenol LTW.



IBD-07BFFM-SL7000
Color: Black



Conn.



Pin Assignments
Front View

7	White	白
6	Green	綠
5	Brown	棕
4	Red	紅
3	Yellow	黃
2	Orange	橙
1	Blue	藍
Conn.	Wire Color	
	Pin Out	

IBD-07BFFM-SL7AXX
 XX : 01~99Meters
 01 : 01Meter
 02 : 02Meters
 :
 :
 99 : 99Meters
 Cable Length(L): 01~99Meters

- Note:
- * Ⓞ Important Dimension To Check
 - * Waterproof Rate: IP67
 - * Housing: Nylon+GF, Black
 - * Female Pin: Copper Alloy, Gold Plated
 - * Screw Nut: Nylon+GF, Black
 - * O-Ring: Silicon, Gray
 - * Cable: UL2464 24AWG*7C+D+AL/My
PVC Jacket UV Resistant, OD=5.8, Black
 - * Cable Length Tolerance: 01M: ±40mm
02M~05M: ±60mm
06M~10M: ±100mm
11M~30M: ±200mm
31M~99M: ±500mm

UNIT:mm	
TOLERANCE	± 0.5 mm

TITLE STANDARD CNC PIN CABLE SCREW 7PIN F CONN F PIN			
SCALE 1:1	SIZE A4	SHEET 1 OF 1	
REV. A	WC-REV. A.1	Ⓞ: Inspection item	

Amphenol LTW
安費諾亮泰企業股份有限公司

ITEM NO	DRAWN BY Ruru	DATE 2014-01-08
DWG NO IBD-07BFFM-SL7AXX	CHECKED BY Tony	DATE 2014-01-08
CUSTOMER ALTW	APPROVED BY Victor	DATE 2014-01-08