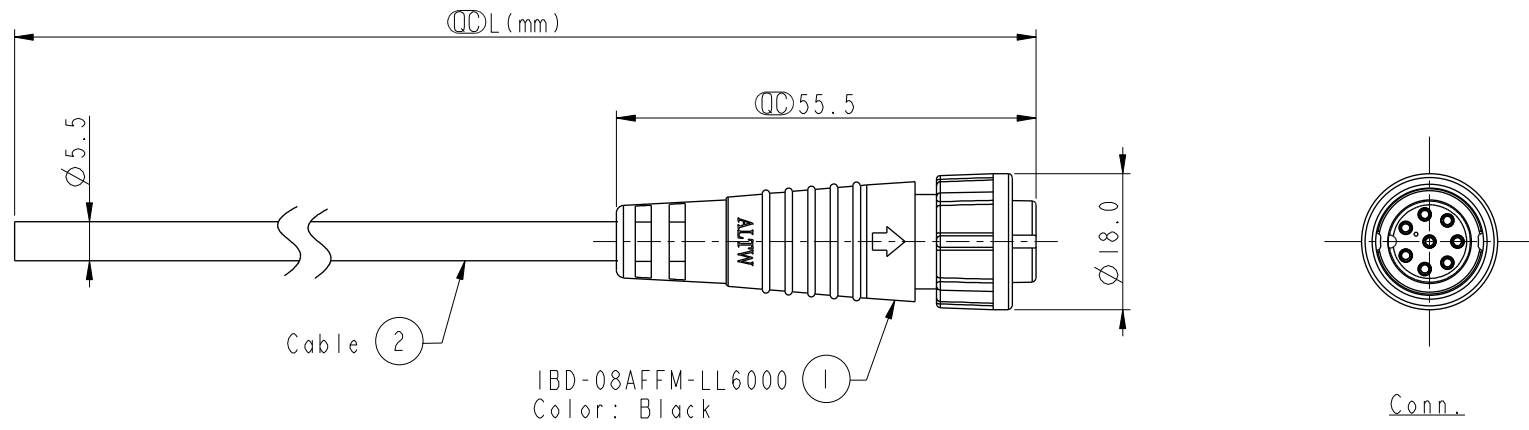
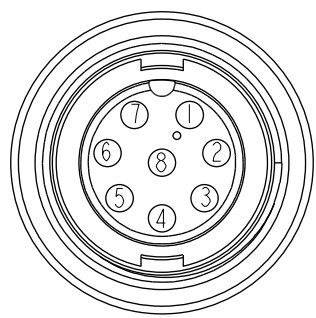


THIS DOCUMENT IS SUBJECT TO CHANGE WITHOUT NOTICE. IT IS CONFIDENTIAL AND A PROPERTY OF Amphenol LTW. DISCLOSURE TO THIRD PARTY HAS TO BE AUTHORIZED BY Amphenol LTW.

REV.	ECN NO.	DATE	SIGN	DESCRIPTION



IBD-08AFFM-LL6000  
Color: Black



Pin Assignments  
Front View

8	Green	綠
7	Yellow	黃
6	Orange	橙
5	Red	紅
4	Blue	藍
3	White	白
2	Brown	棕
1	Black	黑
Conn.	Wire Color	Pin Out

IBD-08AFFM-LL6AXX

- XX : 01~99Meters
- 01 : 01Meter
- 02 : 02Meters
- ...
- 99 : 99Meters

Cable Length(L): 01~99Meters

Note:

- \*  $\varnothing$  Important Dimension To Check
- \* Waterproof Rate: IP66
- \* Housing: Nylon+GF, Black
- \* Female Pin: Copper Alloy, Gold Plated
- \* Lock Nut: Nylon+GF, Black
- \* O-Ring: Silicon, Gray
- \* Cable: UL2464 24AWG\*8C+D+AL/My  
PVC Jacket UV Resistant, OD=5.5, Black
- \* Cable Length Tolerance: 01M: ±40mm  
02M~05M: ±60mm  
06M~10M: ±100mm  
11M~30M: ±200mm  
31M~99M: ±500mm

UNIT:mm	
TOLERANCE	± 0.5 mm

TITLE STANDARD CNC PIN CABLE LOCK 8PIN F CONN F PIN			
SCALE 1:1	SIZE A4	SHEET 1 OF 1	
REV. A	WC-REV. A.1	$\varnothing$ : Inspection item	

**Amphenol LTW**  
安費諾亮泰企業股份有限公司

ITEM NO	DRAWN BY Ruru	DATE 2014-01-08
DWG NO IBD-08AFFM-LL6AXX	CHECKED BY Tony	DATE 2014-01-08
CUSTOMER ALTW	APPROVED BY Victor	DATE 2014-01-08