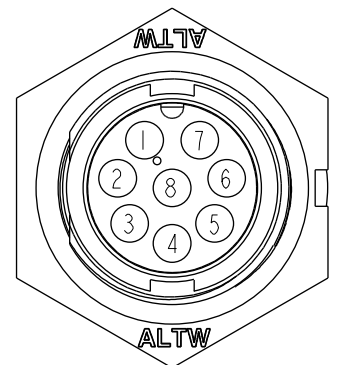
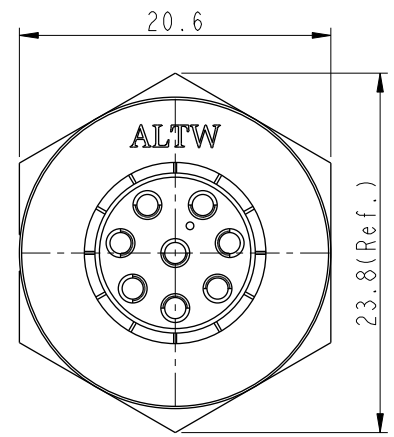
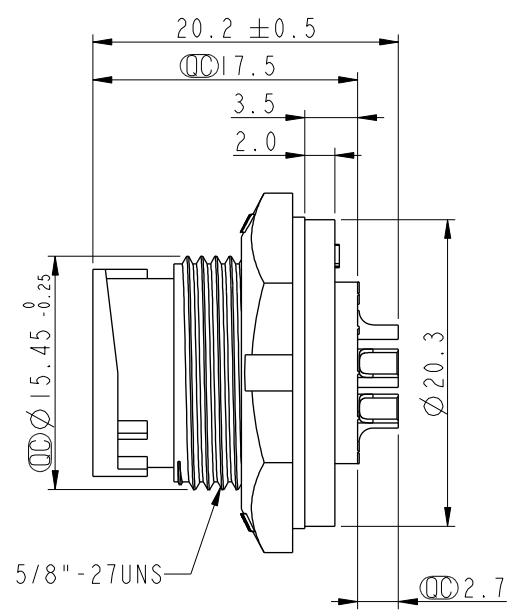
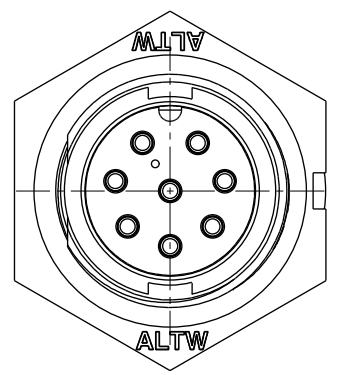


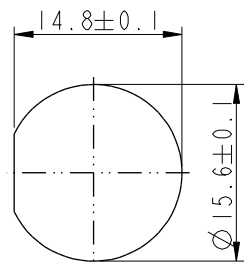
THIS DOCUMENT IS SUBJECT TO CHANGE WITHOUT NOTICE. IT IS CONFIDENTIAL AND A PROPERTY OF Amphenol LTW. DISCLOSURE TO THIRD PARTY HAS TO BE AUTHORIZED BY Amphenol LTW.

REV.	ECN NO.	DATE	SIGN	DESCRIPTION
A	Initial Release	2013/11/13	Ann	New Item
B	C190308	2019/03/20	Ruru	Modify Note & Add QC Dimension

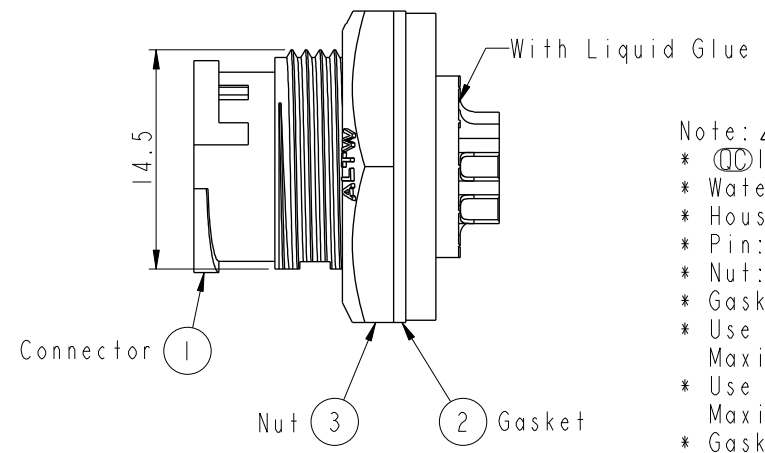
**ALTW**  
 CONFIDENTIAL  
 2019-03-20  
 R&D DEPT.



Pin Assignments  
Front View



Recommended Panel  
Cut-Out



- Note: **B**
- \*  $\text{CC}$  Important Dimension
  - \* Waterproof Rate: IP67, Unmated
  - \* Housing: Thermoplastic, Black
  - \* Pin: Copper Alloy, Gold Plated
  - \* Nut: Thermoplastic, Black
  - \* Gasket: Rubber, Gray
  - \* Use with waterproof cap or dust cap  
Maximum Panel Thickness: 2.8mm
  - \* Use without waterproof cap or dust cap  
Maximum Panel Thickness: 4.0mm
  - \* Gasket and Nut are packed separately  
in PE bags

<b>UNIT:mm</b> TOLERANCE .X ±0.25 .XX ±0.1 .XXX ±0.05 ANGLES ±1°	TITLE Standard CNC Pin Panel Lock 8Pin M Conn M Pin			<h1>Amphenol LTW</h1> 安費諾亮泰企業股份有限公司	ITEM NO IBD-08PMMS-LC7001	DRAWN BY Ruru	DATE 2019-03-20
	SCALE 2:1	SIZE A4	SHEET 1 OF 1		DWG NO IBD-08PMMS-LC7001	CHECKED BY Rita	DATE 2019-03-20
REV. B	WC-REV. A.3	$\text{CC}$ : Inspection item	CUSTOMER ALTW	APPROVED BY Max	DATE 2019-03-20	W10814-03-01A2	