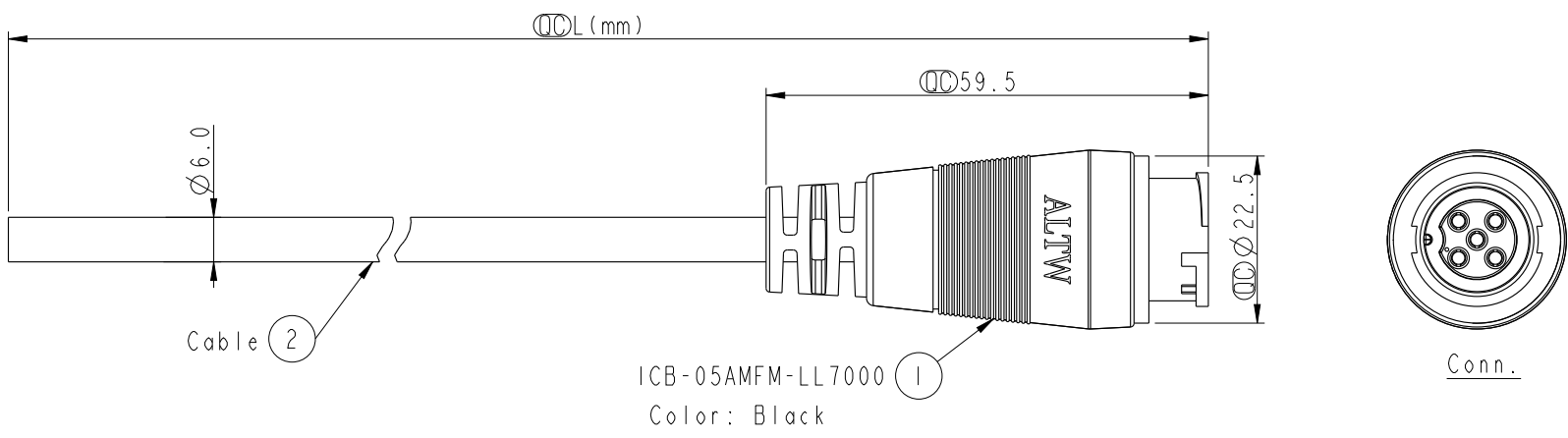
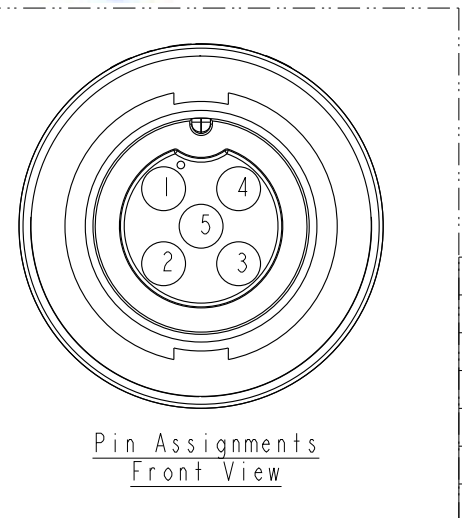
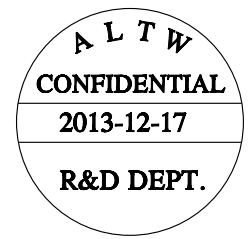


| | | | | |
|------|---------|------|------|-------------|
| REV. | ECN NO. | DATE | SIGN | DESCRIPTION |
| | | | | |



ICB-05AMFM-LL7000 (1)
Color: Black



| | | |
|-------|------------|---------|
| 5 | Green | 綠 |
| 4 | White | 白 |
| 3 | Black | 黑 |
| 2 | Blue | 藍 |
| 1 | Brown | 棕 |
| Conn. | Wire Color | Pin Out |

ICB-05AMFM-LL7AXX
 XX : 01~99Meters
 01 : 01Meter
 02 : 02Meters
 ...
 99 : 99Meters
 Cable Length(L):01~99Meters

- Note:
- * ϕ Important Dimension To Check.
 - * Waterproof Rate: IP67
 - * Housing: Nylon+GF, Black.
 - * Female Pin: Copper Alloy, Gold Plated.
 - * Cable: UL2464 20AWG*5C+D+Al/My
PVC Jacket UV Resistant, OD=6.0, Black.
 - * Cable Length Tolerance:
 - 01M: 40mm
 - 02M~05M: ± 60 mm
 - 06M~10M: ± 100 mm
 - 11M~30M: ± 200 mm
 - 31M~99M: ± 500 mm

UNIT:mm TOLERANCE ± 0.5

| | | | |
|---|----------------|--------------------------|--|
| TITLE MIDDLE CNC PIN CABLE LOCK 5P M CONN F PIN | | | |
| SCALE 1:1 | SIZE A4 | SHEET 1 OF 1 | |
| REV. A | WC-REV. A.2 | ϕ : Inspection item | |

Amphenol LTW
安費諾亮泰企業股份有限公司

| | | |
|-----------------------------|------------------------|--------------------|
| ITEM NO | DRAWN BY peter_wang | DATE 2013-12-17 |
| DWG NO ICB-05AMFM-LL7AXX | CHECKED BY Rensong | DATE 2013-12-17 |
| CUSTOMER ALTW | APPROVED BY Victor | DATE 2013-12-17 |

THIS DOCUMENT IS SUBJECT TO CHANGE WITHOUT NOTICE. IT IS CONFIDENTIAL AND A PROPERTY OF AMPHENOL LTW. DISCLOSURE TO THIRD PARTY HAS TO BE AUTHORIZED BY AMPHENOL LTW.