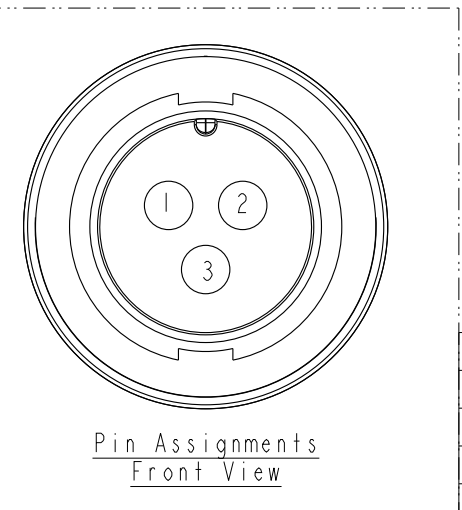
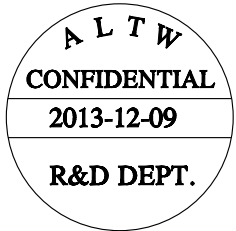
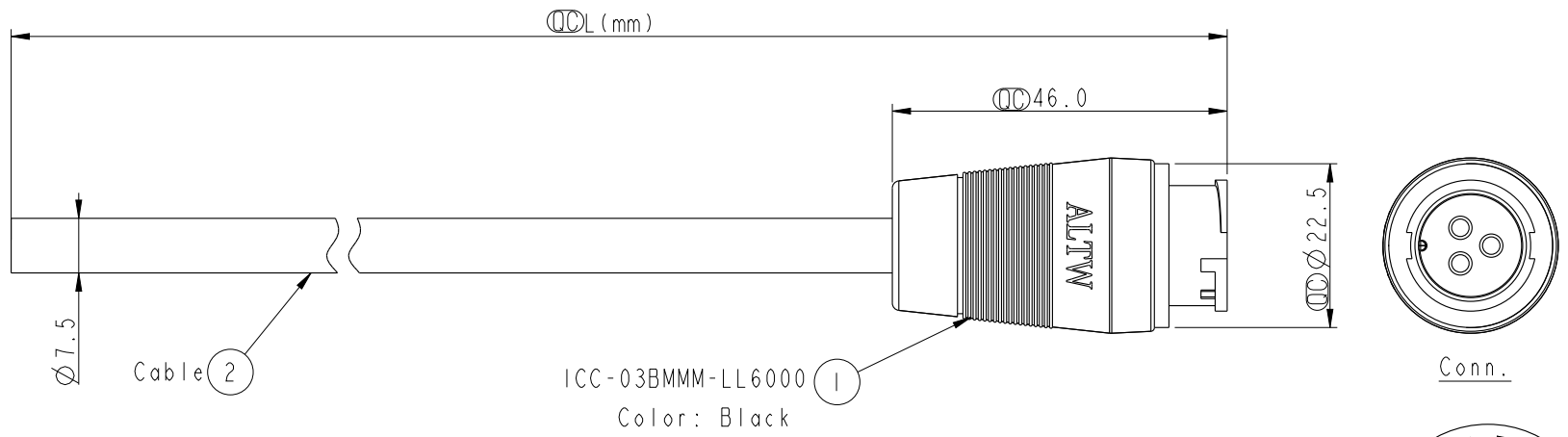


THIS DOCUMENT IS SUBJECT TO CHANGE WITHOUT NOTICE. IT IS CONFIDENTIAL AND A PROPERTY OF AMPHENOL LTW. DISCLOSURE TO THIRD PARTY HAS TO BE AUTHORIZED BY AMPHENOL LTW.

REV.	ECN NO.	DATE	SIGN	DESCRIPTION



ICC-03BMMM-LL6AXX

XX : 01~99Meters
01 : 01Meter
02 : 02Meters
 ...
99 : 99Meters

Cable Length(L): 01~99Meters

- Note:
- * \varnothing Important Dimension To Check.
 - * Waterproof Rate: IP66
 - * Housing: Nylon+GF, Black.
 - * Male Pin: Copper Alloy, Gold Plated.
 - * Cable: UL2464 16AWG*3C+D+AI/My
PVC Jacket UV Resistant, OD=7.5, Black.
 - * Cable Length Tolerance: 01M: 40mm
02M~05M: ±60mm
06M~10M: ±100mm
11M~30M: ±200mm
31M~99M: ±500mm

3	Black	黑
2	Blue	藍
1	Brown	棕
Conn.	Wire Color	
Pin Out		

UNIT: mm TOLERANCE ±0.5	TITLE MIDDLE CNC PIN CABLE LOCK 3P M CONN M PIN			<h1 style="margin: 0;">Amphenol LTW</h1> <p style="margin: 0;">安費諾亮泰企業股份有限公司</p>	ITEM NO	DRAWN BY peter_wang	DATE 2013-12-09
	SCALE 1:1	SIZE A4	SHEET 1 OF 1		DWG NO ICC-03BMMM-LL6AXX	CHECKED BY Rensong	DATE 2013-12-09
	REV. A	WC-REV. A.2	③: Inspection item		CUSTOMER ALTW	APPROVED BY Victor	DATE 2013-12-09