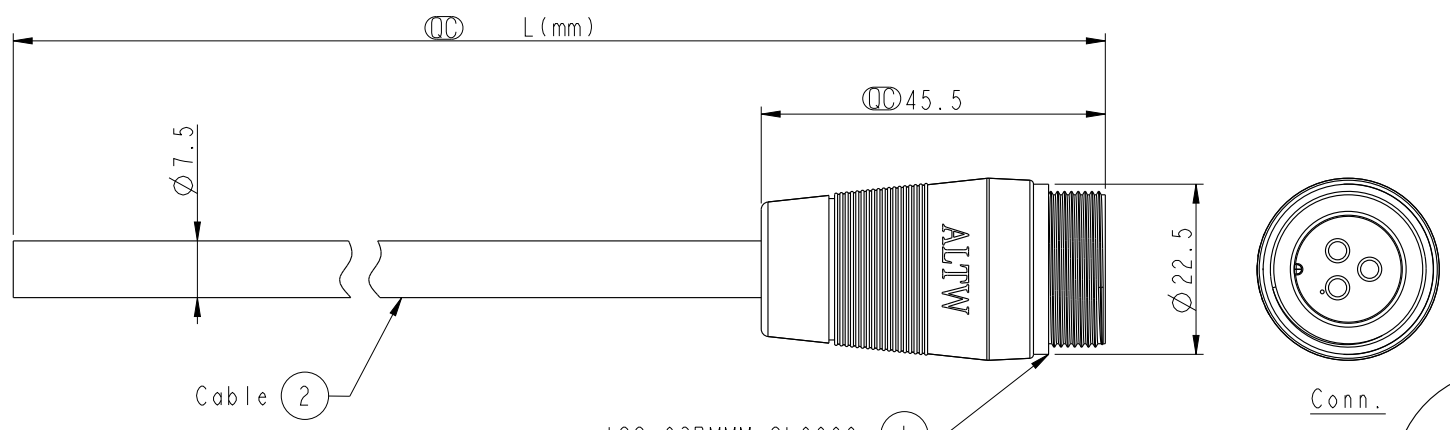
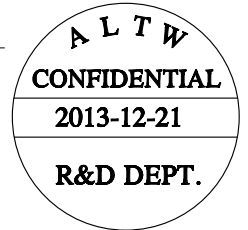


REV.	ECN NO.	DATE	SIGN	DESCRIPTION



ICC-03BMMM-SL6000  
Color: Black

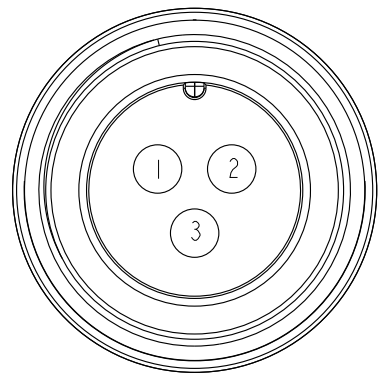


ICC-03BMMM-SL6AXX

- XX : 01~99Meters
- 01 : 01Meter
- 02 : 02Meters
- ...
- 99 : 99Meters

Cable Length(L):01~99Meters

- Note:
- \*  $\varnothing$  Important Dimension To Check.
  - \* Waterproof Rate: IP66
  - \* Housing: Nylon+GF, Black.
  - \* Male Pin: Copper Alloy, Gold Plated.
  - \* Cable: UL2464 16AWG\*3C+D+AI/My PVC Jacket UV Resistant, OD=7.5, Black.
  - \* Cable Length Tolerance:
    - 01M: 40mm
    - 02M~05M: ±60mm
    - 06M~10M: ±100mm
    - 11M~30M: ±200mm
    - 31M~99M: ±500mm



Pin Assignments  
Front View

3	Black	黑
2	Blue	藍
1	Brown	棕
Conn.	Wire Color	
Pin Out		

UNIT: mm

TOLERANCE	
.X	±0.25
.XX	±0.1
.XXX	±0.05
ANGLES	±1°

TITLE MIDDLE CNC PIN CABLE SCREW 3P M CONN M PIN			
SCALE	1:1	SIZE	A4
REV.	A	WC-REV.	A.1
		☉: Inspection item	

**Amphenol LTW**  
安費諾亮泰企業股份有限公司

ITEM NO	DRAWN BY	DATE
	Tom_gu	2013-12-21
DWG NO	CHECKED BY	DATE
ICC-03BMMM-SL6AXX	Rensong	2013-12-21
CUSTOMER	APPROVED BY	DATE
ALTW	Victor	2013-12-21

THIS DOCUMENT IS SUBJECT TO CHANGE WITHOUT NOTICE. IT IS CONFIDENTIAL AND A PROPERTY OF Amphenol LTW. DISCLOSURE TO THIRD PARTY HAS TO BE AUTHORIZED BY Amphenol LTW.