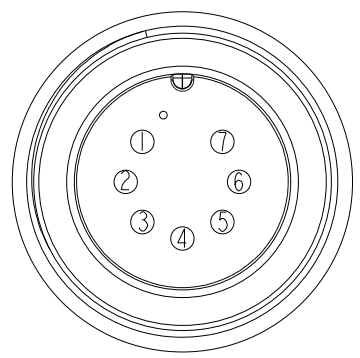
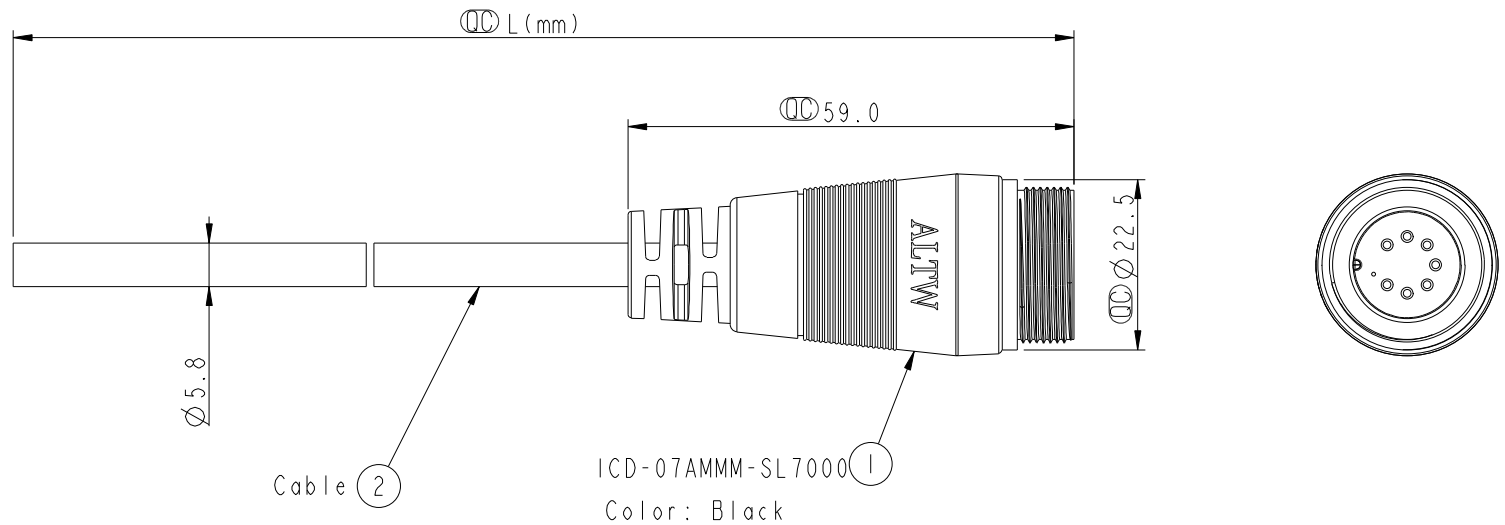


REV.	ECN NO.	DATE	SIGN	DESCRIPTION



Pin Assignments
Front View

7	White	白
6	Green	綠
5	Brown	棕
4	Red	紅
3	Yellow	黃
2	Orange	橙
1	Blue	藍
Conn.	Wire Color	
Pin Out		

ICD-07AMMM-SL7000
Color: Black

ICD-07AMMM-SL7AXX

XX :01~99Meters
01 :01Meter
02 :02Meters
:
:
99 :99Meters

Cable Length(L):01~99Meters

Note:
 * \varnothing Important Dimension To Check.
 * Waterproof Rate: IP67
 * Housing: Nylon+GF, Black.
 * Male Pin: Copper Alloy, Gold Plated.
 * Cable: UL2464 24AWG*7C+D+AL/Wy PVC Jacket UV Resistant, OD=5.8, Black.
 * Cable Length Tolerance: 01M:40mm
 02M~05M:±60mm
 06M~10M:±100mm
 11M~30M:±200mm
 31M~99M:±500mm

UNIT:mm		
TOLERANCE	±0.5	

TITLE MIDDLE CABLE SCREW 7P M CONN M PIN			
SCALE 1:1	SIZE A4	SHEET 1 OF 1	
REV. A	WC-REV. A.2	\varnothing : Inspection item	

Amphenol LTW
安費諾亮泰企業股份有限公司

ITEM NO	DRAWN BY Di_lu	DATE 2013-10-31
DWG NO ICD-07AMMM-SL7AXX	CHECKED BY Mafei	DATE 2013-10-31
CUSTOMER ALTW	APPROVED BY Victor	DATE 2013-10-31

THIS DOCUMENT IS SUBJECT TO CHANGE WITHOUT NOTICE. IT IS CONFIDENTIAL AND A PROPERTY OF Amphenol LTW. DISCLOSURE TO THIRD PARTY HAS TO BE AUTHORIZED BY Amphenol LTW.