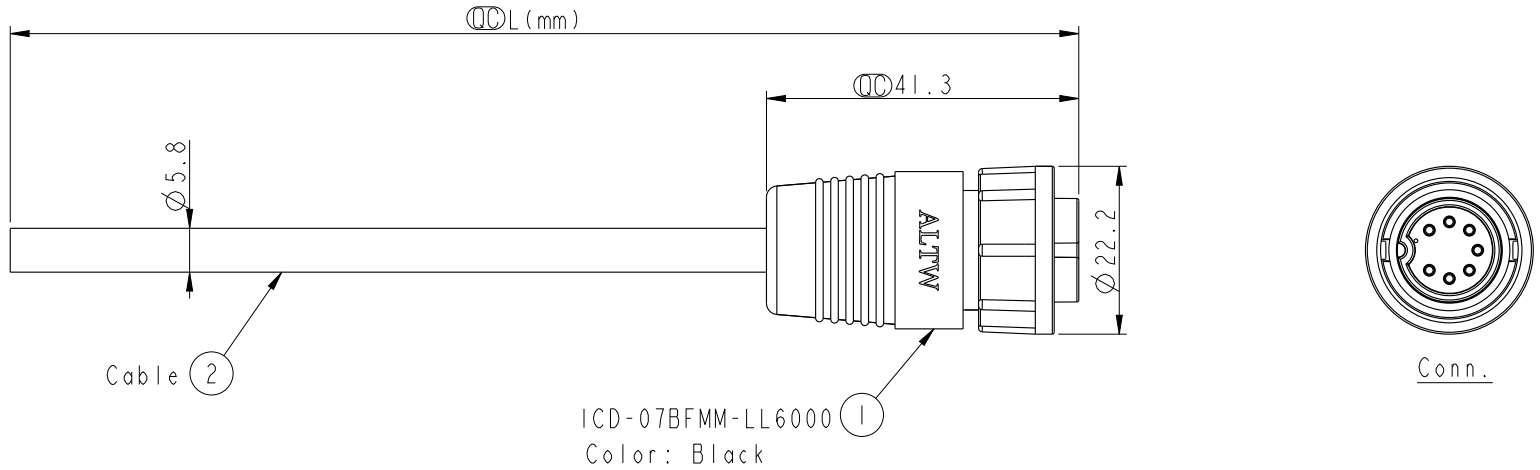
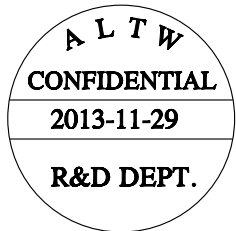


THIS DOCUMENT IS SUBJECT TO CHANGE WITHOUT NOTICE. IT IS CONFIDENTIAL AND A PROPERTY OF Amphenol LTW. DISCLOSURE TO THIRD PARTY HAS TO BE AUTHORIZED BY Amphenol LTW.

| | | | | |
|------|---------|------|------|-------------|
| REV. | ECN NO. | DATE | SIGN | DESCRIPTION |
| | | | | |

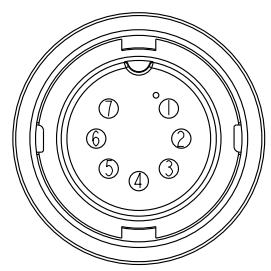


ICD-07BFMM-LL6000 ①
Color: Black



ICD-07BFMM-LL6A XX
 ↑
 XX: 01~99Meters
 01: 01Meter
 02: 02Meters
 :
 :
 :
 :
 XX: 99Meters
 Cable Length(L): 01~99Meters

- Note:
- * Ⓞ Important Dimension To Check.
 - * Waterproof Rate: IP66
 - * Housing: Nylon+GF, Black.
 - * Male Pin: Copper Alloy, Gold Plated.
 - * Lock Nut: Nylon+GF. Black
 - * O-Ring: Silicon, Gary.
 - * Cable: UL2464 24AWG*7C+Drain+Al/My PVC Jacket UV Resistant, OD=5.8, Black.
 - * Cable Length Tolerance: 01M: 40mm
 02M~05M: ±60mm
 06M~10M: ±100mm
 11M~30M: ±200mm
 31M~99M: ±500mm



Pin Assignments Front View

| | | |
|-------|------------|---------|
| 7 | White | 白 |
| 6 | Green | 綠 |
| 5 | Brown | 棕 |
| 4 | Red | 紅 |
| 3 | Yellow | 黃 |
| 2 | Orange | 橙 |
| 1 | Blue | 藍 |
| Conn. | Wire Color | Pin Out |

| | |
|-----------|------|
| UNIT: mm | |
| TOLERANCE | ±0.5 |

| | | | |
|---|----------------|--------------------|--|
| TITLE MIDDLE CNC PIN CABLE LOCK 7P F CONN M PIN | | | |
| SCALE 1:1 | SIZE A4 | SHEET 1 OF 1 | |
| REV. A | WC-REV. A.3 | Ⓞ: Inspection item | |

Amphenol LTW
安費諾亮泰企業股份有限公司

| | | |
|-----------------------------|-------------------------|--------------------|
| ITEM NO | DRAWN BY Lin_rensong | DATE 2013-11-29 |
| DWG NO ICD-07BFMM-LL6AXX | CHECKED BY Tony_leng | DATE 2013-11-29 |
| CUSTOMER ALTW | APPROVED BY Victor | DATE 2013-11-29 |