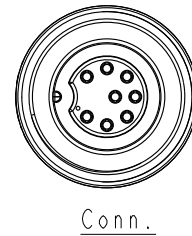
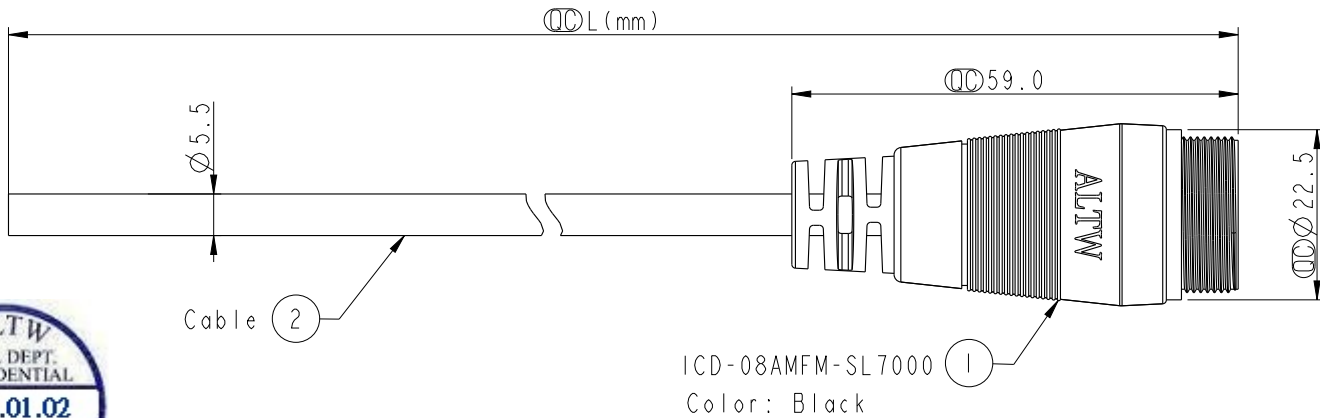
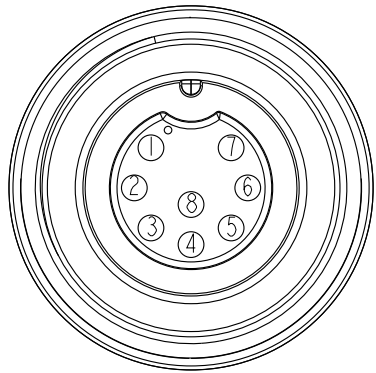
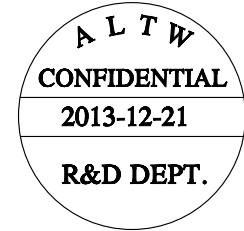


REV.	ECN NO.	DATE	SIGN	DESCRIPTION



Conn.



Pin Assignments
Front View

8	Green	綠
7	Yellow	黃
6	Orange	橙
5	Red	紅
4	Blue	藍
3	White	白
2	Brown	棕
1	Black	黑
Conn.	Wire Color	
Pin Out		

ICD-08AMFM-SL7AXX

XX : 01~99Meters
 01 : 01Meter
 02 : 02Meters
 :
 :
 99 : 99Meters

Cable Length(L): 01~99Meters

Note:

- * \varnothing Important Dimension To Check.
- * Waterproof Rate: IP67
- * Housing: Nylon+GF, Black.
- * Female Pin: Copper Alloy, Gold Plated.
- * Cable: UL2464 24AWG*8C+D+AL/Wy
PVC Jacket UV Resistant, OD=5.5, Black.
- * Cable Length Tolerance: 01M: 40mm
02M~05M: ±60mm
06M~10M: ±100mm
11M~30M: ±200mm
31M~99M: ±500mm

UNIT:mm		
TOLERANCE	±0.5	

TITLE MIDDLE CNC PIN CABLE SCREW 8P M CONN F PIN			
SCALE 1:1	SIZE A4	SHEET 1 OF 1	
REV. A	WC-REV. A.1	\varnothing : Inspection item	

Amphenol LTW
 安費諾亮泰企業股份有限公司

ITEM NO	DRAWN BY Tom_gu	DATE 2013-12-21
DWG NO ICD-08AMFM-SL7AXX	CHECKED BY Rensong	DATE 2013-12-21
CUSTOMER ALTW	APPROVED BY Victor	DATE 2013-12-21

THIS DOCUMENT IS SUBJECT TO CHANGE WITHOUT NOTICE. IT IS CONFIDENTIAL AND A PROPERTY OF Amphenol LTW. DISCLOSURE TO THIRD PARTY HAS TO BE AUTHORIZED BY Amphenol LTW.