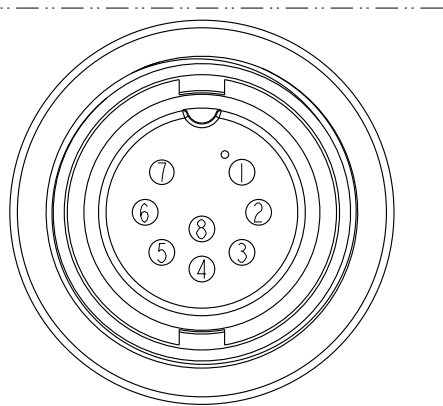
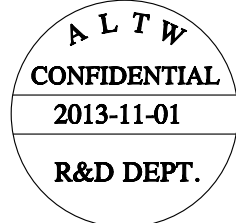
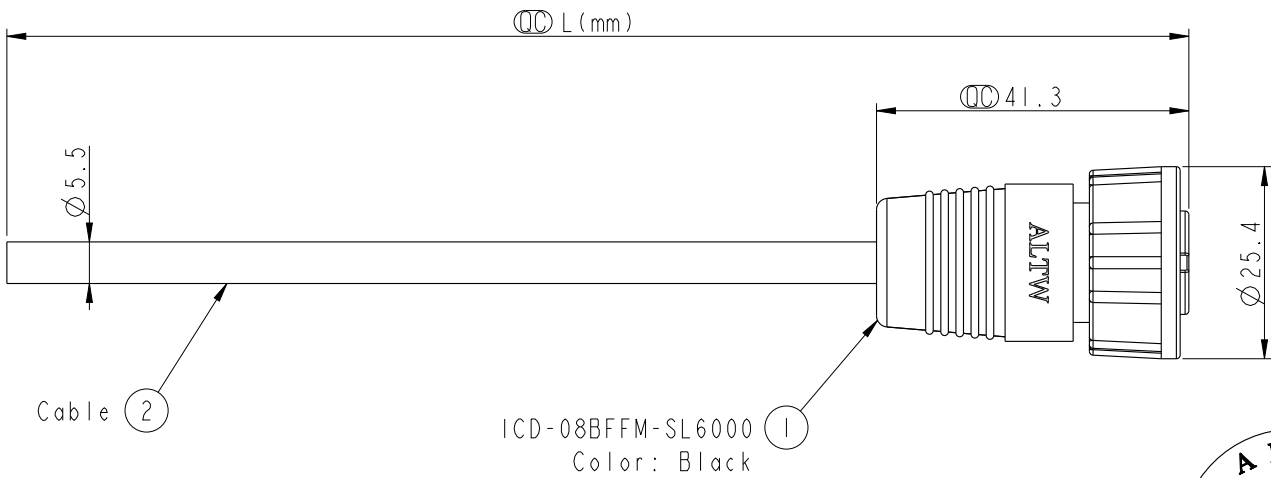


THIS DOCUMENT IS SUBJECT TO CHANGE WITHOUT NOTICE. IT IS CONFIDENTIAL AND A PROPERTY OF Amphenol LTW. DISCLOSURE TO THIRD PARTY HAS TO BE AUTHORIZED BY Amphenol LTW.

REV.	ECN NO.	DATE	SIGN	DESCRIPTION



Pin Assignments
Front View

8	Green	綠
7	Yellow	黃
6	Orange	橙
5	Red	紅
4	Blue	藍
3	White	白
2	Brown	棕
1	Black	黑
Conn.	Wire Color	Pin Out

ICD-08BFFM-SL6000
Color: Black

ICD-08BFFM-SL6AXX

- XX : 01~99Meters
- 01 : 01Meter
- 02 : 02Meters
- ...
- 99 : 99Meters

Cable Length(L):01~99Meters

- Note:
- * \varnothing Important Dimension To Check.
 - * Waterproof Rate: IP66
 - * Housing: Nylon+GF, Black.
 - * Female Pin: Copper Alloy, Gold Plated.
 - * Screw Nut: Nylon+GF, Black.
 - * O-Ring: Silicon, Gray
 - * Cable: UL2464 24AWG*8C+Drain+Al/My PVC Jacket UV Resistant, OD=5.5, Black.
 - * Cable Length Tolerance: 01M:40mm
02M~05M:±60mm
06M~10M:±100mm
11M~30M:±200mm
31M~99M:±500mm

UNIT:mm	
TOLERANCE	±0.5

TITLE MIDDLE CNC PIN CABLE SCREW 8P F CONN F PIN			
SCALE 1:1	SIZE A4	SHEET 1 OF 1	
REV. A	WC-REV. A.1	\varnothing : Inspection item	

Amphenol LTW
安費諾亮泰企業股份有限公司

ITEM NO	DRAWN BY Tony_leng	DATE 2013-11-01
DWG NO ICD-08BFFM-SL6AXX	CHECKED BY Ruru	DATE 2013-11-01
CUSTOMER ALTW	APPROVED BY Jerry	DATE 2013-11-01