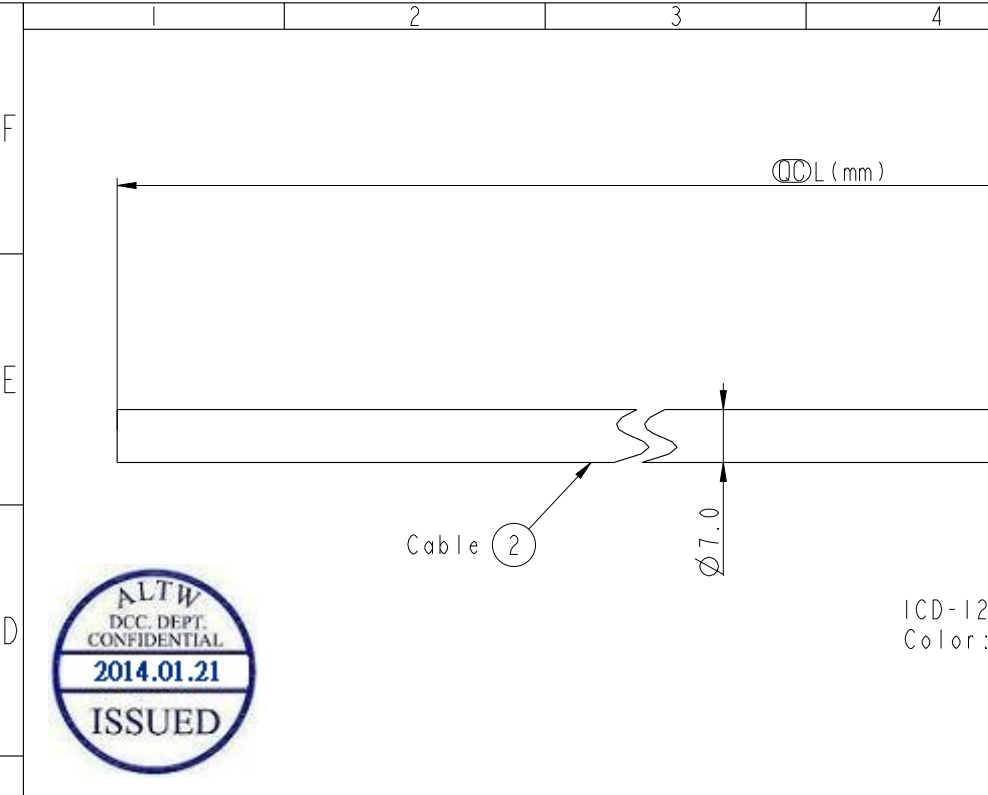
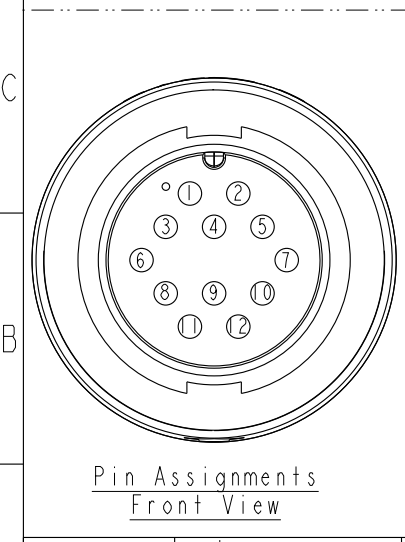
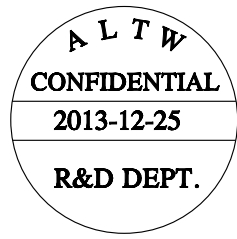


REV.	ECN NO.	DATE	SIGN	DESCRIPTION



ICD-12BMMM-LL6000 ①
Color: Black



12	Light Green	淺綠
11	Purple	紫
10	Orange	橙
9	Black	黑
8	Red	紅
7	Pink	粉紅
6	Gray	灰
5	Yellow	黃
4	Green	綠
3	White	白
2	Blue	藍
1	Brown	棕
Conn.	Wire Color	
Pin Out		

ICD-12BMMM-LL6AXX
 XX : 01~99Meters
 01 : 01Meter
 02 : 02Meters
 :
 :
 99 : 99Meters
 Cable Length(L): 01~99Meters

Note:
 * Ⓞ Important Dimension To Check.
 * Waterproof Rate: IP66
 * Housing: Nylon+GF, Black.
 * Male Pin: Copper Alloy, Gold Plated.
 * Cable: UL2464 24AWG*12C+D+AI/Wy PVC Jacket UV Resistant, OD=7.0, Black.
 * Cable Length Tolerance:
 01M: 40mm
 02M~05M: ±60mm
 06M~10M: ±100mm
 11M~30M: ±200mm
 31M~99M: ±500mm

UNIT:mm	
TOLERANCE	±0.5

TITLE MIDDLE CNC PIN CABLE LOCK 12P M CONN M PIN			
SCALE 1:1	SIZE A4	SHEET 1 OF 1	
REV. A	WC-REV. A.2	Ⓞ: Inspection item	

Amphenol LTW
 安費諾亮泰企業股份有限公司

ITEM NO	DRAWN BY Laurence_zang	DATE 2013-12-25
DWG NO ICD-12BMMM-LL6AXX	CHECKED BY Lin Ren Song	DATE 2013-12-25
CUSTOMER ALTW	APPROVED BY Maslow	DATE 2013-12-25

THIS DOCUMENT IS SUBJECT TO CHANGE WITHOUT NOTICE. IT IS CONFIDENTIAL AND A PROPERTY OF Amphenol LTW. DISCLOSURE TO THIRD PARTY HAS TO BE AUTHORIZED BY Amphenol LTW.