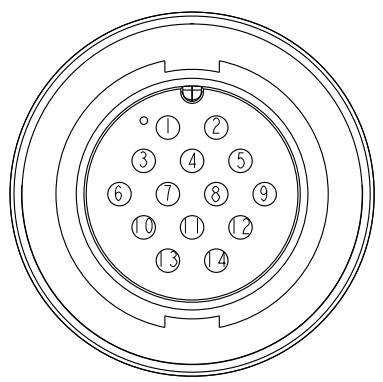
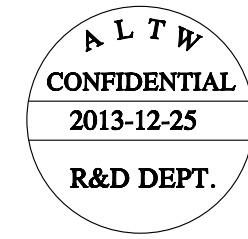
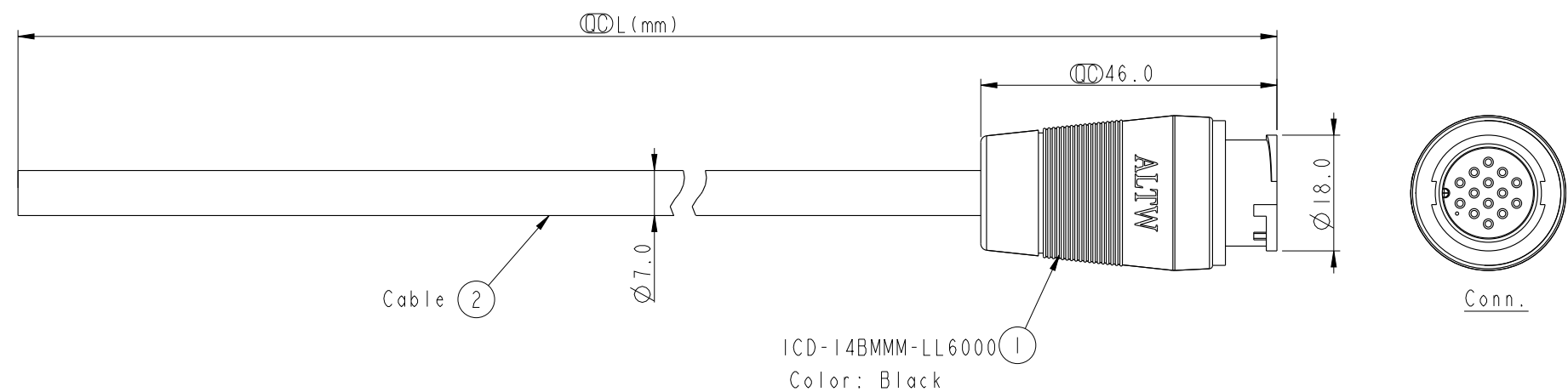


THIS DOCUMENT IS SUBJECT TO CHANGE WITHOUT NOTICE. IT IS CONFIDENTIAL AND A PROPERTY OF Amphenol LTW. DISCLOSURE TO THIRD PARTY HAS TO BE AUTHORIZED BY Amphenol LTW.

REV.	ECN NO.	DATE	SIGN	DESCRIPTION



Pin Assignments  
Front View

14	Brown/White	棕/白
13	Black/White	黑/白
12	Light Green	淺綠
11	Purple	紫
10	Orange	橙
9	Black	黑
8	Red	紅
7	Pink	粉紅
6	Gray	灰
5	Yellow	黃
4	Green	綠
3	White	白
2	Blue	藍
1	Brown	棕
Conn.	Wire Color	

Pin Out

ICD-14BMMM-LL6AXX

XX :01~99Meters  
 01 :01Meter  
 02 :02Meters  
 ...  
 99 :99Meters

Cable Length(L):01~99Meters

Note:  
 \*  $\varnothing$  Important Dimension To Check.  
 \* Waterproof Rate: IP66  
 \* Housing: Nylon+GF, Black.  
 \* Female Pin: Copper Alloy, Gold Plated.  
 \* Cable: UL2464 24AWG\*14C+D+Al/Wy  
 PVC Jacket UV Resistant, OD=7.0, Black.  
 \* Cable Length Tolerance: 01M:40mm  
 02M~05M:±60mm  
 06M~10M:±100mm  
 11M~30M:±200mm  
 31M~99M:±500mm

UNIT:mm		
TOLERANCE	±0.5	

TITLE MIDDLE CNC PIN CABLE LOCK 14P M CONN M PIN			
SCALE 1:1	SIZE A4	SHEET 1 OF 1	
REV. A	WC-REV. A.2	$\varnothing$ : Inspection item	

**Amphenol LTW**  
 安費諾亮泰企業股份有限公司

ITEM NO	DRAWN BY Laurence_zang	DATE 2013-12-25
DWG NO ICD-14BMMM-LL6AXX	CHECKED BY Lin Ren Song	DATE 2013-12-25
CUSTOMER ALTW	APPROVED BY Victor	DATE 2013-12-25