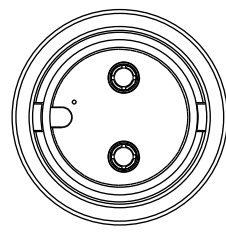
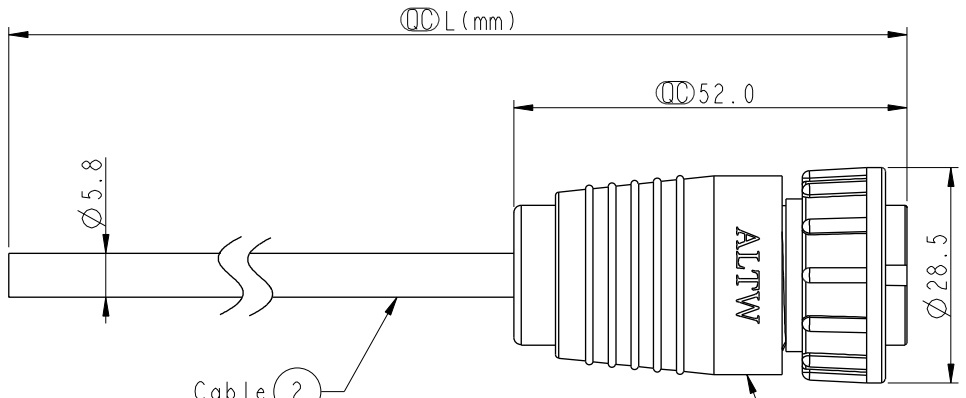
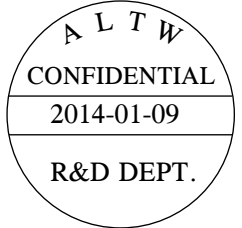
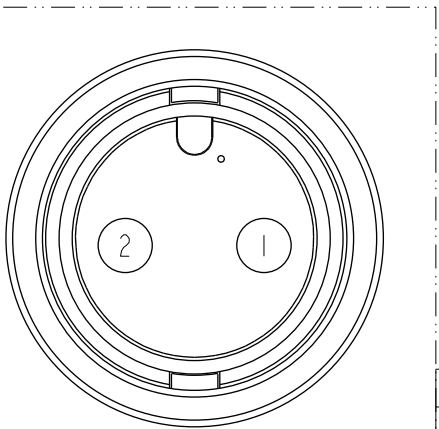


REV.	ECN NO.	DATE	SIGN	DESCRIPTION



Conn.

① IDC-02BFFM-LL6000  
Color: Black



Pin Assignments  
Front View

IDC-02BFFM-LL6AXX

- XX :01~99Meters
- 01 :01Meter
- 02 :02Meters
- ...
- 99 :99Meters

Cable Length(L):01~99Meters

- Note:
- \*  $\phi$  Important Dimension To Check.
  - \* Waterproof Rate: IP66
  - \* Housing: Nylon+GF, Black.
  - \* Female Pin: Copper Alloy, Gold Plated.
  - \* Lock Nut: Nylon+GF, Black.
  - \* O-Ring: Silicone, Gray.
  - \* Cable: UL2464 16AWG\*2C+Talcum, PVC Jacket, UV Resistant, OD=5.8mm, Black.
  - \* Cable Length Tolerance: 01M:±40mm  
02M~05M:±60mm  
06M~10M:±100mm  
11M~30M:±200mm  
31M~99M:±500mm

2	Black	黑
1	Red	紅
Conn.	Wire Color	
Pin Out		

UNIT:mm TOLERANCE ±0.5 mm

TITLE			
Large CNC Pin Cable Lock 2Pin F Conn F Pin			
SCALE	SIZE	SHEET	OF
1:1	A4	1	1
REV.	WC-REV.	QC: Inspection item	
A	A.1		

**Amphenol LTW**  
安費諾亮泰企業股份有限公司

ITEM NO	DRAWN BY	DATE
	Vicky	2014-01-09
DWG NO	CHECKED BY	DATE
IDC-02BFFM-LL6AXX	Ruru	2014-01-09
CUSTOMER	APPROVED BY	DATE
ALTW	Victor	2014-01-09

THIS DOCUMENT IS SUBJECT TO CHANGE WITHOUT NOTICE. IT IS CONFIDENTIAL AND A PROPERTY OF Amphenol LTW. DISCLOSURE TO THIRD PARTY HAS TO BE AUTHORIZED BY Amphenol LTW.