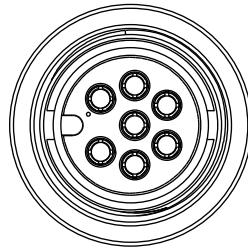
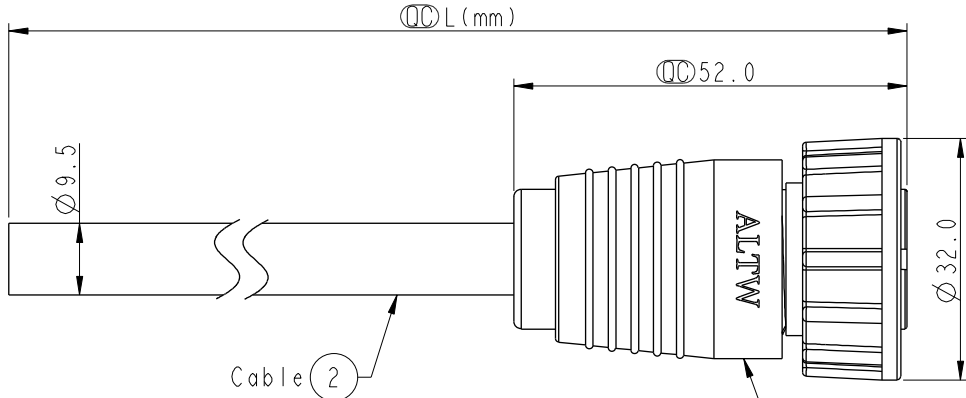
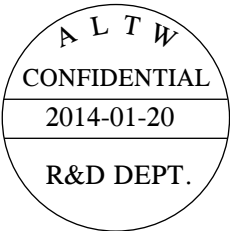
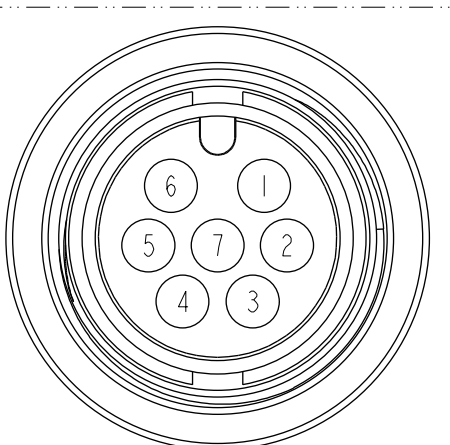


REV.	ECN NO.	DATE	SIGN	DESCRIPTION



Conn.

① IDC-07BFFM-SL6000
Color: Black



Pin Assignments
Front View

7	Red	紅
6	Gray	灰
5	Yellow	黃
4	Green	綠
3	White	白
2	Blue	藍
1	Brown	棕
Conn.	Wire Color	

Pin Out

IDC-07BFFM-SL6AXX

- XX :01~99Meters
- 01 :01Meter
- 02 :02Meters
- ...
- 99 :99Meters

Cable Length(L):01~99Meters

Note:

- * ϕ Important Dimension To Check.
- * Waterproof Rate: IP66
- * Housing: Nylon+GF, Black.
- * Female Pin: Copper Alloy, Gold Plated.
- * Screw Nut: Nylon+GF, Black.
- * O-Ring: Silicone, Gray.
- * Cable: UL2464 16AWG*7C+D+AL/My, PVC Jacket, UV Resistant, OD=9.5mm, Black.
- * Cable Length Tolerance:
 - 01M:±40mm
 - 02M~05M:±60mm
 - 06M~10M:±100mm
 - 11M~30M:±200mm
 - 31M~99M:±500mm

UNIT:mm	
TOLERANCE	±0.5 mm

TITLE Large CNC Pin Cable Screw 7Pin F Conn F Pin			
SCALE 1:1	SIZE A4	SHEET 1 OF 1	
REV. A	WC-REV. A.1	QC: Inspection item	

Amphenol LTW
安費諾亮泰企業股份有限公司

ITEM NO	DRAWN BY Vicky	DATE 2014-01-20
DWG NO IDC-07BFFM-SL6AXX	CHECKED BY Ruru	DATE 2014-01-20
CUSTOMER ALTW	APPROVED BY Victor	DATE 2014-01-20

THIS DOCUMENT IS SUBJECT TO CHANGE WITHOUT NOTICE. IT IS CONFIDENTIAL AND A PROPERTY OF Amphenol LTW. DISCLOSURE TO THIRD PARTY HAS TO BE AUTHORIZED BY Amphenol LTW.