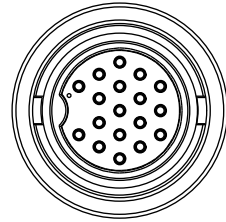
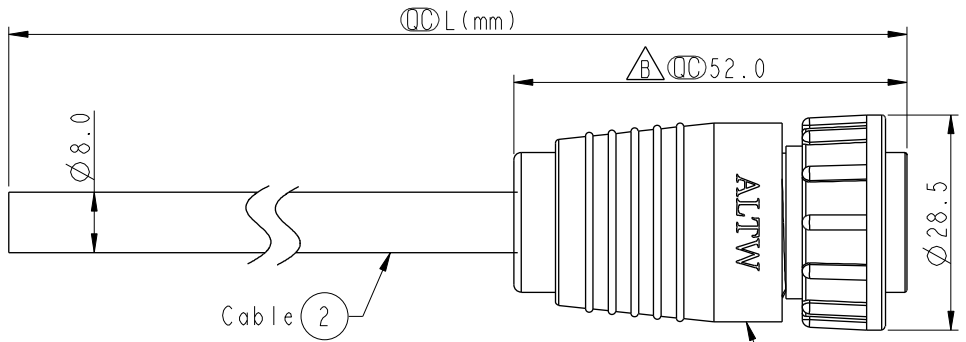
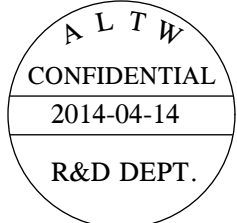


THIS DOCUMENT IS SUBJECT TO CHANGE WITHOUT NOTICE. IT IS CONFIDENTIAL AND A PROPERTY OF Amphenol LTW. DISCLOSURE TO THIRD PARTY HAS TO BE AUTHORIZED BY Amphenol LTW.

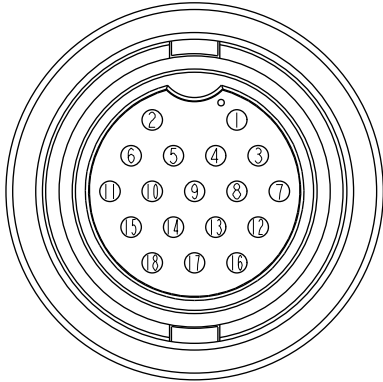
REV.	ECN NO.	DATE	SIGN	DESCRIPTION
B	LEN1440202	2014/04/14	Vicky	Modify Dimension



Conn.



18	Blue/White	藍/白
17	Green/White	綠/白
16	Orange/White	橘/白
15	Red/White	紅/白
14	Brown/White	棕/白
13	Black/White	黑/白
12	Light Green	淺綠
11	Purple	紫
10	Orange	橘
9	Black	黑
8	Red	紅
7	Pink	粉紅
6	Gray	灰
5	Yellow	黃
4	Green	綠
3	White	白
2	Blue	藍
1	Brown	棕
Conn.	Wire Color	Pin Out



Pin Assignments Front View

① IDD-18BFMM-LL6000
Color: Black

IDD-18BFMM-LL6AXX

XX :01~99Meters
01 :01Meter
02 :02Meters
 ...
99 :99Meters

Cable Length(L):01~99Meters

- Note:
- * Ⓞ Important Dimension To Check.
 - * Waterproof Rate: IP66
 - * Housing: Nylon+GF, Black.
 - * Female Pin: Copper Alloy, Gold Plated.
 - * Lock Nut: Nylon+GF, Black.
 - * O-Ring: Silicone, Gray.
 - * Cable: UL2464 24AWG*18C+D+AL/My, PVC Jacket, UV Resistant, OD=8.0mm, Black.
 - * Cable Length Tolerance: 01M:±40mm
 02M~05M:±60mm
 06M~10M:±100mm
 11M~30M:±200mm
 31M~99M:±500mm

UNIT:mm	
TOLERANCE	±0.5 mm

TITLE Large CNC Pin Cable Lock 18Pin F Conn M Pin			
SCALE 1:1	SIZE A4	SHEET 1 OF 1	
REV. B	WC-REV. A.1	Ⓞ : Inspection item	

Amphenol LTW
安費諾亮泰企業股份有限公司

ITEM NO	DRAWN BY Vicky	DATE 2014-04-14
DWG NO IDD-18BFMM-LL6AXX	CHECKED BY Ruru	DATE 2014-04-14
CUSTOMER ALTW	APPROVED BY Victor	DATE 2014-04-14