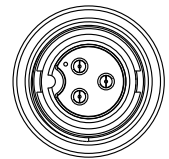
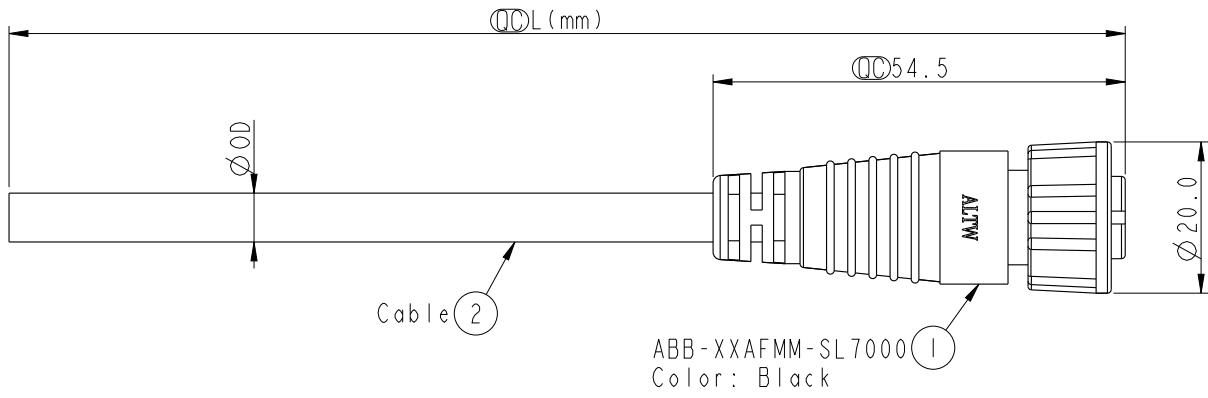


REV.	ECN NO.	DATE	SIGN	DESCRIPTION



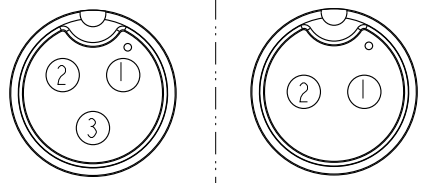
Conn.



ABB-XXAFMM-SL7AXX  
 02: 2Pin  
 ...  
 03: 3Pin  
 XX : 01~99Meters  
 01 : 01Meter  
 02 : 02Meters  
 ...  
 99 : 99Meters  
 Cable Length(L): 01~99Meters

3 Yellow 黃	2 Red 紅
2 White 白	1 Green 綠
1 Black 黑	
Pin # Wire	Pin # Wire

Pin Out



Pin Assignments Front View

3P	PVC	5.0	20	ABB-03AFMM-SL7AXX
2P		5.8		ABB-02AFMM-SL7AXX
Contacts	Cable Jacket	Cable OD	AWG	Item No.

- Note:
- \*  $\varnothing$  Important Dimension To Check.
  - \* Waterproof Rate: IP67
  - \* Housing: Nylon+GF, Black.
  - \* Male Pin: Copper Alloy, Gold Plated.
  - \* Cable: UL2464 20AWG+D+AL/My PVC Jacket UV Resistant, Black.
  - \* Cable Length Tolerance: 01M: 40mm  
02M~05M: ±60mm  
06M~10M: ±100mm  
11M~30M: ±200mm  
31M~99M: ±500mm

UNIT: mm  $\pm 0.5$

TITLE STANDARD CABLE SCREW F CONN M PIN			
SCALE 1:2	SIZE A4	SHEET 1 OF 1	
REV. A	WC-REV. A.1	$\varnothing$ : Inspection item	

**Amphenol LTW**  
 安費諾亮泰企業股份有限公司

ITEM NO.	DRAWN BY Mafei	DATE 2017-06-24
DWG NO. ABB-XXAFMM-SL7AXX	CHECKED BY Jerry	DATE 2017-06-24
CUSTOMER ALTW	APPROVED BY Max	DATE 2017-06-24

THIS DOCUMENT IS SUBJECT TO CHANGE WITHOUT NOTICE. IT IS CONFIDENTIAL AND A PROPERTY OF Amphenol LTW. DISCLOSURE TO THIRD PARTY HAS TO BE AUTHORIZED BY Amphenol LTW.