

REV.	ECN NO.	DATE	SIGN	DESCRIPTION

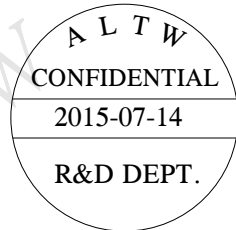
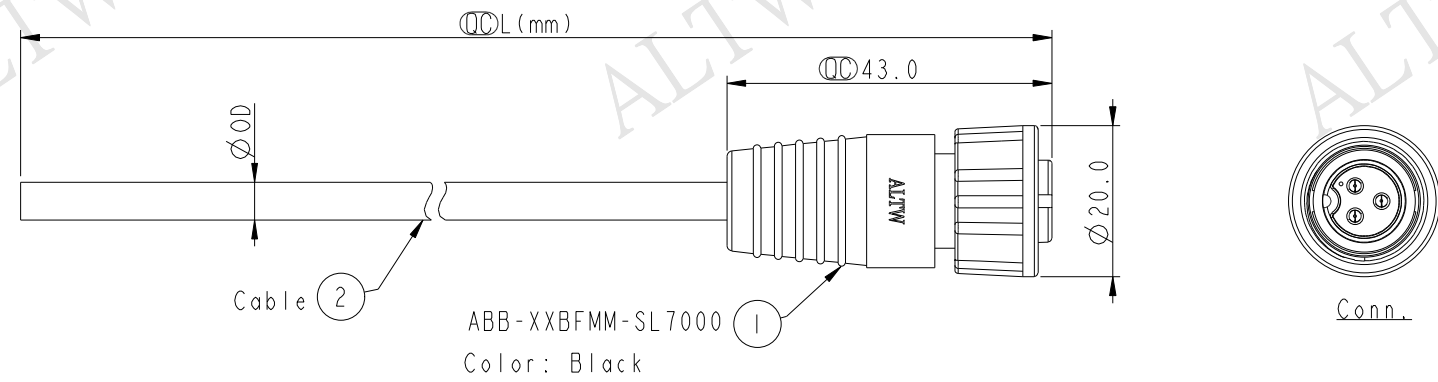


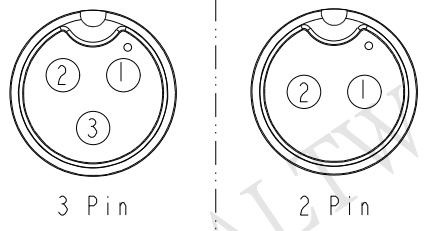
ABB-XXBFMM-SL7AXX

02: 2Pin
 ...
 03: 3Pin

XX : 01~99Meters
 01 : 01Meter
 02 : 02Meters
 ...
 99 : 99Meters

Cable Length(L): 01~99Meters

3 Yellow 黃	2 White 白	2 Red 紅	1 Green 綠
1 Black 黑			
Pin # Wire	Pin # Wire		



3P	PVC	5.0	20	ABB-03BFMM-SL7AXX
2P		5.8		ABB-02BFMM-SL7AXX
Contacts	Cable Jacket	Cable OD	AWG	Item No.

- Note:
- * \varnothing Important Dimension To Check.
 - * Waterproof Rate: IP67
 - * Housing: Nylon+GF, Black.
 - * Male Pin: Copper Alloy, Gold Plated.
 - * Cable: UL2464 20AWG+D+AL/My PVC Jacket UV Resistant, Black.
 - * Cable Length Tolerance:
 - 01M: 40mm
 - 02M~05M: ±60mm
 - 06M~10M: ±100mm
 - 11M~30M: ±200mm
 - 31M~99M: ±500mm

UNIT:mm

TOLERANCE ±0.5

TITLE STANDARD CABLE SCREW F CONN M PIN			
SCALE 1:1	SIZE A4	SHEET 1 OF 1	
REV. A	WC-REV. A.1	\varnothing : Inspection item	

Amphenol LTW
 安費諾亮泰企業股份有限公司

ITEM NO	DRAWN BY Jinhai	DATE 2015-07-14
DWG NO ABB-XXBFMM-SL7AXX	CHECKED BY Rensong	DATE 2015-07-14
CUSTOMER ALTW	APPROVED BY Jerry	DATE 2015-07-14

THIS DOCUMENT IS SUBJECT TO CHANGE WITHOUT NOTICE. IT IS CONFIDENTIAL AND A PROPERTY OF Amphenol LTW. DISCLOSURE TO THIRD PARTY HAS TO BE AUTHORIZED BY Amphenol LTW.