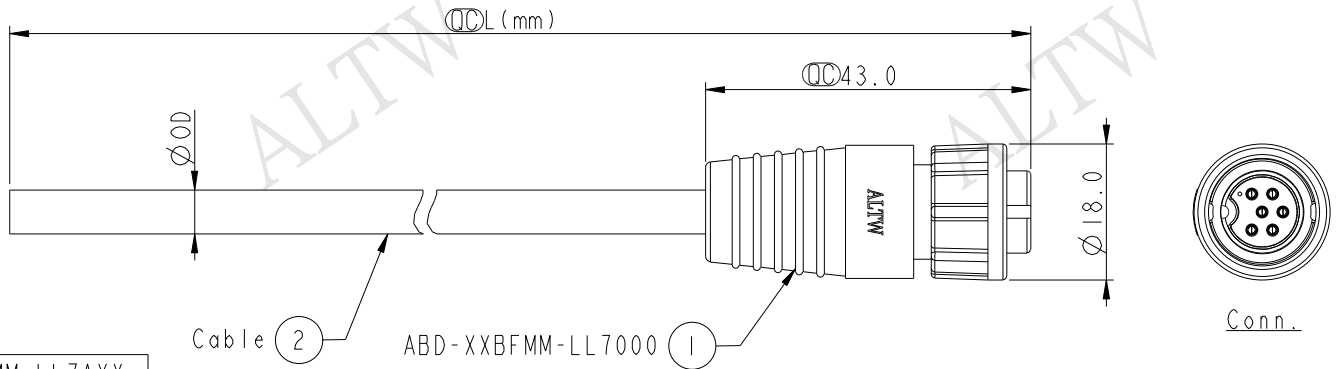
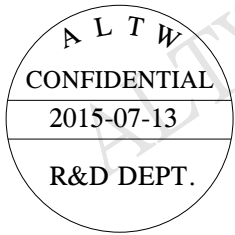


THIS DOCUMENT IS SUBJECT TO CHANGE WITHOUT NOTICE. IT IS CONFIDENTIAL AND A PROPERTY OF AMPHENOL LTW. DISCLOSURE TO THIRD PARTY HAS TO BE AUTHORIZED BY AMPHENOL LTW.

REV.	ECN NO.	DATE	SIGN	DESCRIPTION



Cable ② ABD-XXBFMM-LL7000  
Color: Black

6P	PVC	5.8	24	ABD-06BFMM-LL7AXX
5P		5.0		ABD-05BFMM-LL7AXX
4P		5.8		ABD-04BFMM-LL7AXX
3P		4.5		ABD-03BFMM-LL7AXX
2P		4.2		ABD-02BFMM-LL7AXX
Contacts	Cable Jacket	Cable OD	AWG	Item No.

ABD-XXBFMM-LL7AXX  
02: 2Pin  
⋮  
06: 6Pin

XX : 01~99Meters  
01 : 01Meter  
02 : 02Meters  
⋮  
99 : 99Meters

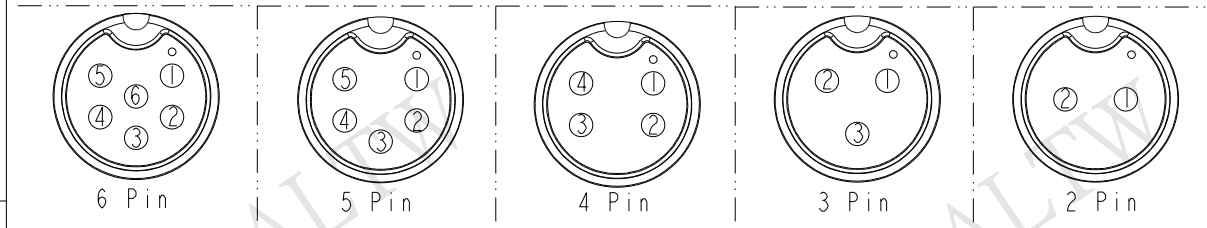
Cable Length(L): 01~99Meters

Note:

- \*  $\varnothing$  Important Dimension To Check.
- \* Waterproof Rate: IP67
- \* Housing: Nylon+GF, Black.
- \* Male Pin: Copper Alloy, Gold Plated.
- \* Cable: UL2464 24AWG+D+AL/Wy  
PVC Jacket UV Resistant, Black.
- \* Cable Length Tolerance: 01M: 40mm  
02M~05M:  $\pm 60$ mm  
06M~10M:  $\pm 100$ mm  
11M~30M:  $\pm 200$ mm  
31M~99M:  $\pm 500$ mm

6 White 白	5 Green 綠	4 Yellow 黃	3 Black 黑	2 Red 紅
5 Red 紅	4 White 白	3 Red 紅	2 Blue 藍	1 Black 黑
4 Orange 橙	3 Black 黑	2 Green 綠	1 Brown 棕	
3 Yellow 黃	2 Blue 藍	1 White 白		
2 Green 綠	1 Brown 棕			
1 Blue 藍				
Pin # Wire	Pin # Wire	Pin # Wire	Pin # Wire	Pin # Wire

Pin Out



Pin Assignments Front View

UNIT: mm		TITLE
TOLERANCE	$\pm 0.5$ mm	STANDARD CABLE LOCK F CONN M PIN
SCALE	1:1	SIZE A4
REV.	A	SHEET 1 OF 1
WC-REV.	A.1	$\varnothing$ : Inspection item

**Amphenol LTW**  
安費諾亮泰企業股份有限公司

ITEM NO.	DRAWN BY	DATE
DWG NO.	CHECKED BY	DATE
CUSTOMER	APPROVED BY	DATE
ALTW	Jinhai	2015-07-13
	Rensong	2015-07-13
	Jerry	2015-07-13