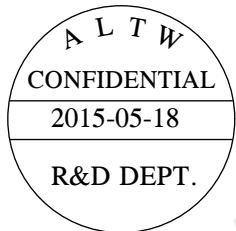
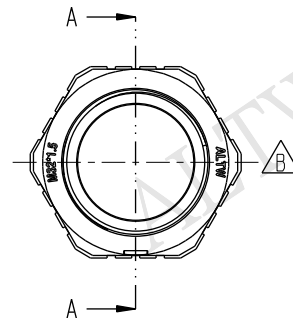
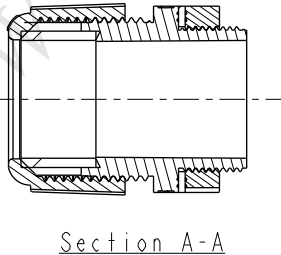
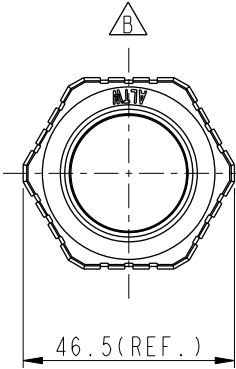
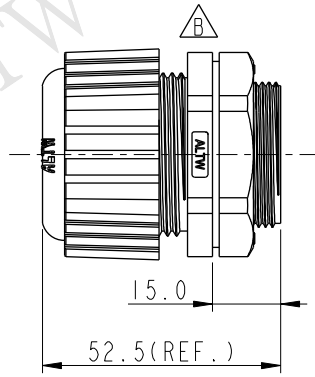
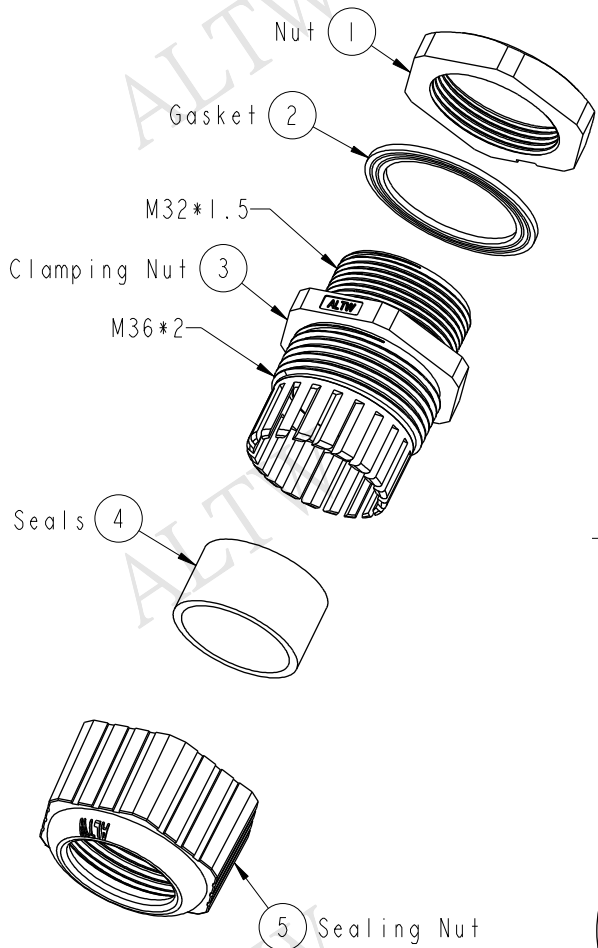


REV.	ECN NO.	DATE	SIGN	DESCRIPTION
B	LEN1560120	2015/05/18	Ruru	Change Logo



- Note:
- * Waterproof Rate: IP68
 - * Screw Nut: Nylon, Black
 - * Clamp Ring: Nylon, Black
 - * Sealing Nut: Nylon, Black
 - * Gasket: EPDM, Black
 - * Seals: EPDM, Black
 - * Cable Range: $\varnothing 18$ - $\varnothing 25$ mm
 - * For Panel Thickness: 6.0mm max
 - * Spanner Size:
 - Body: 41.0mm
 - Sealing Nut: 42.2mm
 - Screw Nut: 41.0mm

UNIT: mm		TITLE		ITEM NO		DRAWN BY		DATE
		Cable Gland Assembly(M32*1.5 - Long Type)		CSG-32M005		Ruru		2015-05-18
TOLERANCE	.X ±0.25 .XX ±0.1 .XXX ±0.05 ANGLES ±1°	SCALE	SIZE	SHEET	OF	CHECKED BY		DATE
		3:5	A4	1	1	Rita		2015-05-18
REV.		WC-REV.		QC: Inspection item		APPROVED BY		DATE
B		A.1				Lion		2015-05-18
Amphenol LTW 安費諾亮泰企業股份有限公司				CUSTOMER		DATE		
				ALTW				8 FMM10702-01-02A1

THIS DOCUMENT IS SUBJECT TO CHANGE WITHOUT NOTICE. IT IS CONFIDENTIAL AND A PROPERTY OF Amphenol LTW. DISCLOSURE TO THIRD PARTY HAS TO BE AUTHORIZED BY Amphenol LTW.