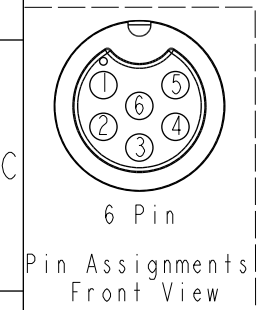
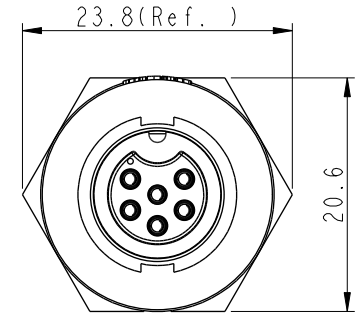
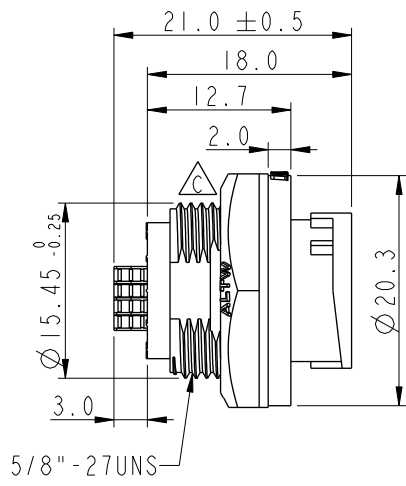
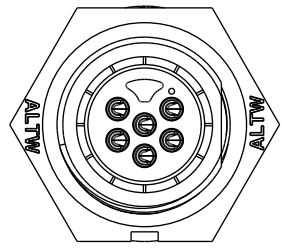
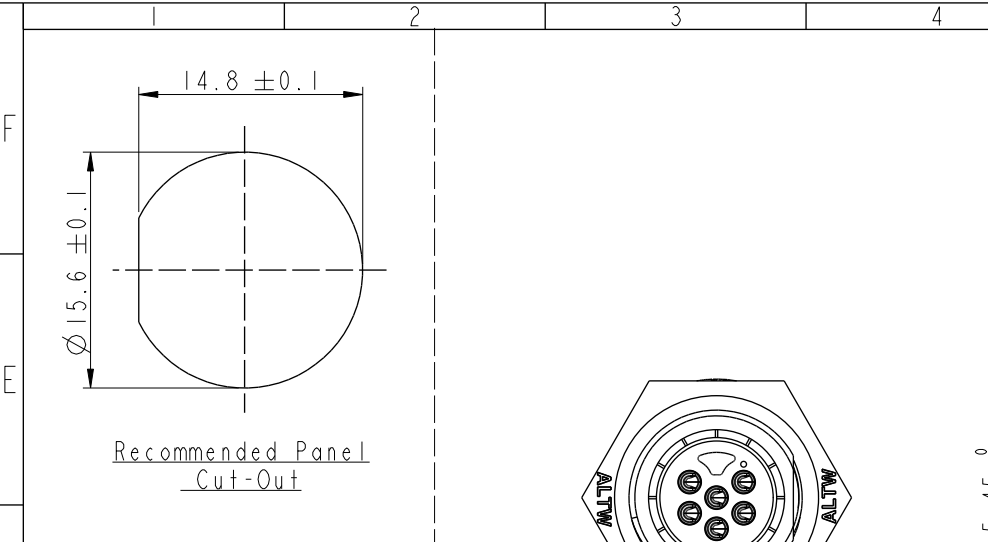


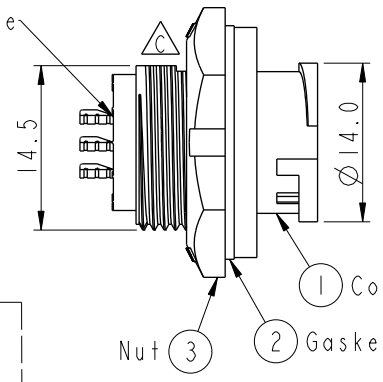
THIS DOCUMENT IS SUBJECT TO CHANGE WITHOUT NOTICE. IT IS CONFIDENTIAL AND A PROPERTY OF Amphenol LTW. DISCLOSURE TO THIRD PARTY HAS TO BE AUTHORIZED BY Amphenol LTW.

REV.	ECN NO.	DATE	SIGN	DESCRIPTION
B	C190346	2019/03/05	Vicky	Change Note
C	C240531	2024/05/16	Ruru	$\triangle C$ X3

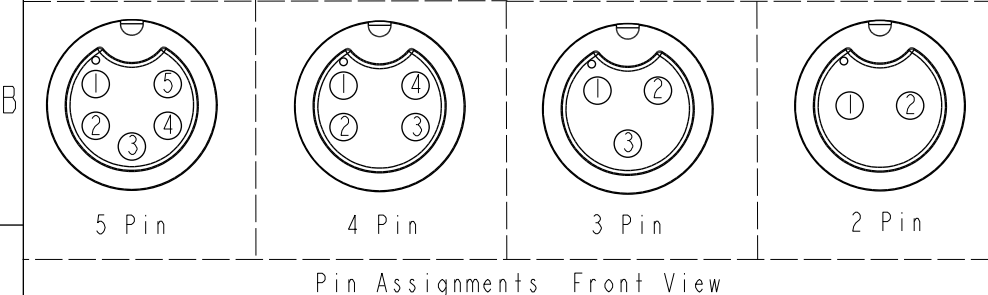


ABD-XXRMFS-LC7001
02: 2Pin
:
06: 6Pin

With Liquid Glue



- $\triangle B$ Note:
- * CC Important Dimension To Check.
 - * Waterproof Rate: IP67, Unmated.
 - * Housing: Thermoplastic, Black.
 - * Pin: Copper Alloy, Gold Plated.
 - * Gasket: Rubber, Gray.
 - * Nut: Thermoplastic, Black.
 - * Maximum Panel Thickness: 3.5mm
 - * Gasket and Nut are packed separately in PE bags. (Gasket/Nut不組裝·散裝出貨)



UNIT: mm	CC	TITLE N CERES, ST, B-5A, REAR FASTENED M, F, SOLDER, 2LOCK
TOLERANCE .X ±0.25 .XX ±0.1 .XXX ±0.05 ANGLES ±1°	SCALE 2:1	SIZE A4
	REV. C	WC-REV. A.3
		CC : Inspection item

Amphenol LTW
安費諾亮泰企業股份有限公司

ITEM NO	DRAWN BY Ruru	DATE 2024-05-16
DWG NO ABD-XXRMFS-LC7001	CHECKED BY Rita	DATE 2024-05-16
CUSTOMER ALTW	APPROVED BY Fred	DATE 2024-05-16