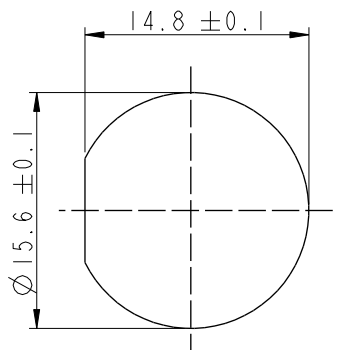
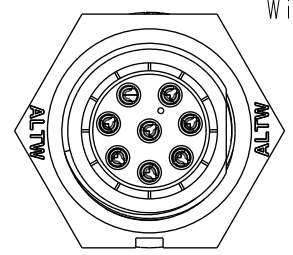


THIS DOCUMENT IS SUBJECT TO CHANGE WITHOUT NOTICE. IT IS CONFIDENTIAL AND A PROPERTY OF AMPHENOL LTW. DISCLOSURE TO THIRD PARTY HAS TO BE AUTHORIZED BY AMPHENOL LTW.

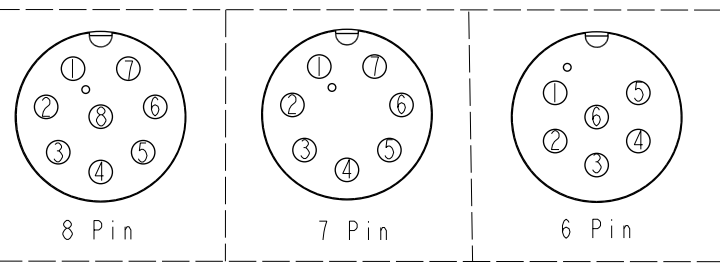
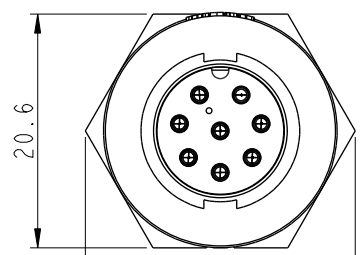
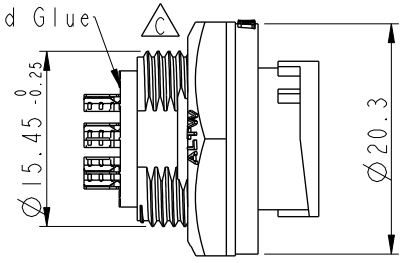
REV.	ECN NO.	DATE	SIGN	DESCRIPTION
B	C190346	2019/03/05	Vicky	Change Note
C	C240531	2024/05/16	Ruru	$\triangle C$ X3



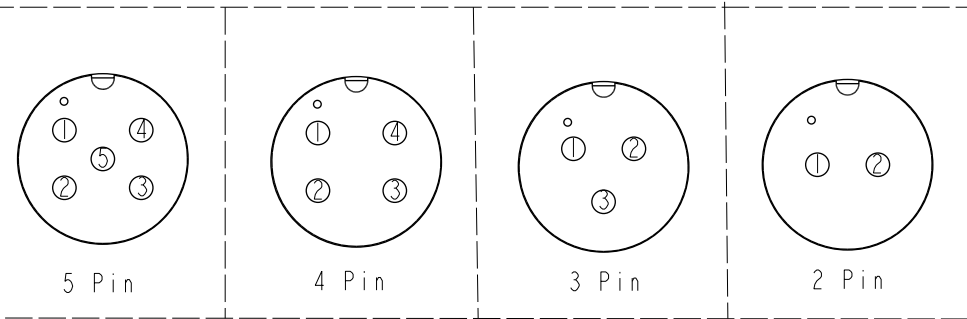
Recommended Panel  
Cut-Out



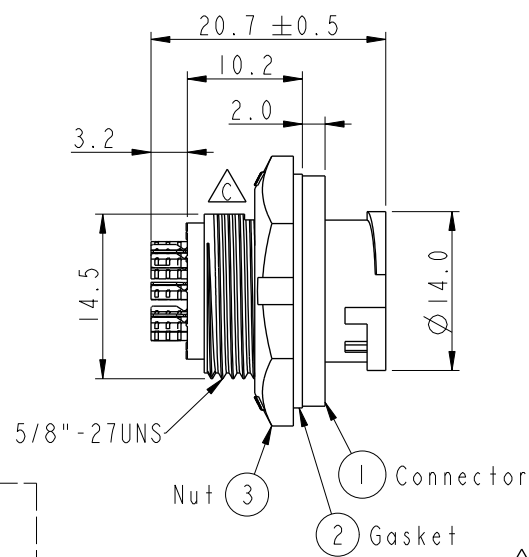
With Liquid Glue



Pin Assignments Front View



Pin Assignments Front View



ABD-XXRMMS-LC7001  
02:2Pin  
:  
08:8Pin

- $\triangle B$  Note:
- \*  $\text{CC}$  Important Dimension.
  - \* Waterproof Rate: IP67, Unmated.
  - \* Housing: Thermoplastic, Black.
  - \* Pin: Copper Alloy, Gold Plated.
  - \* Nut: Thermoplastic, Black.
  - \* Gasket: Rubber, Gray.
  - \* Panel Thickness Max: 3.5mm
  - \* Gasket and Nut are packed separately in PE bags. (Gasket/Nut不組裝，散裝出貨)

UNIT:mm			TITLE N CERES, ST, B-5A, REAR FASTENED M, M, SOLDER, 2LOCK
TOLERANCE .X ±0.25 .XX ±0.1 .XXX ±0.05 ANGLES ±1°	SCALE 3:2	SIZE A4	SHEET 1 OF 1
REV. C	WC-REV. A.1	$\text{CC}$ : Inspection item	

**Amphenol LTW**  
安費諾亮泰企業股份有限公司

ITEM NO	DRAWN BY Ruru	DATE 2024-05-16
DWG NO ABD-XXRMMS-LC7001	CHECKED BY Rita	DATE 2024-05-16
CUSTOMER ALTM	APPROVED BY Fred	DATE 2024-05-16