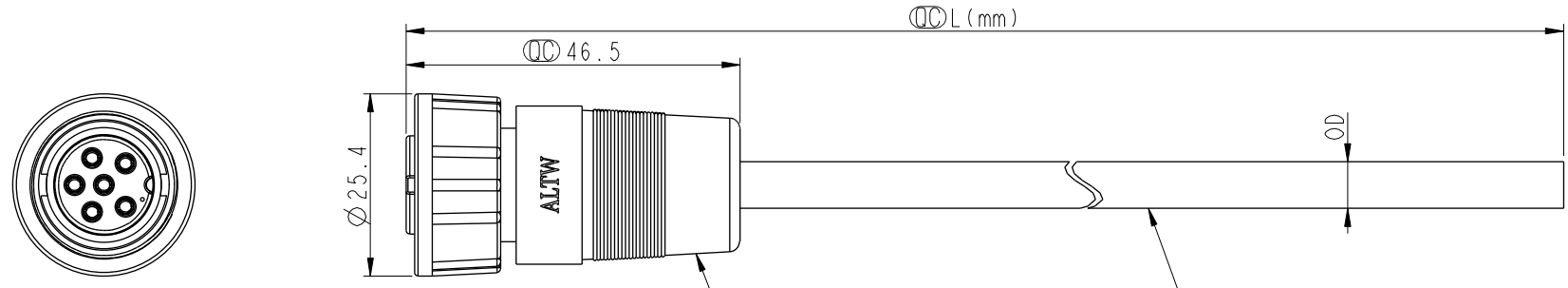


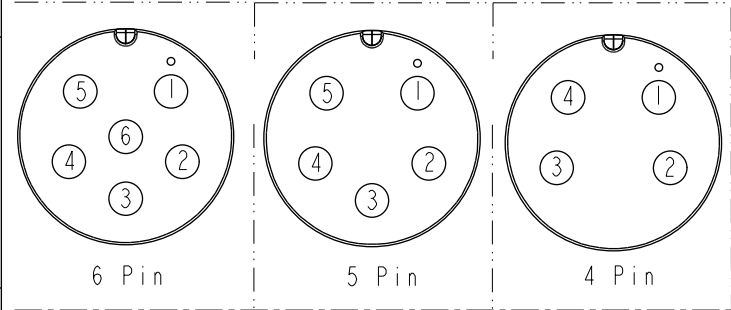
THIS DOCUMENT IS SUBJECT TO CHANGE WITHOUT NOTICE. IT IS CONFIDENTIAL AND A PROPERTY OF Amphenol LTW. DISCLOSURE TO THIRD PARTY HAS TO BE AUTHORIZED BY Amphenol LTW.

REV.	ECN NO.	DATE	SIGN	DESCRIPTION



6P	PVC	6.5	20	ACB-06BFFM-SL7AXX
5P		6.0		ACB-05BFFM-SL7AXX
4P		5.5		ACB-04BFFM-SL7AXX
Contacts	Cable Jacket	Cable OD	AWG	Item No.

6	Gray 灰	5	Green 綠	4	White 白
5	Yellow 黃	4	White 白	3	Black 黑
4	Green 綠	3	Black 黑	2	Blue 藍
3	White 白	2	Blue 藍	1	Brown 棕
2	Blue 藍	1	Brown 棕		
1	Brown 棕				
Pin #	Wire	Pin #	Wire	Pin #	Wire



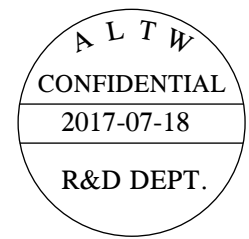
Pin Assignments Front View

ACB-XXBFFM-SL7AXX

04: 4Pin
 05: 5Pin
 06: 6Pin

XX : 01~99Meters
 01 : 01Meter
 02 : 02Meters
 ...
 99 : 99Meters

Cable Length(L): 01~99Meters



- Note:
- * Important Dimension To Check
 - * Waterproof Rate: IP67
 - * Housing: Nylon+GF, Black
 - * Female Pin: Copper Alloy, Gold Plated
 - * Screw Nut: Nylon+GF, Black
 - * Cable: UL2464 20AWG+D+Al/My, PVC Jacket UV Resistant, Black
 - * Cable Length Tolerance: 01M:±40mm
 02M~05M:±60mm
 06M~10M:±100mm
 11M~30M:±200mm
 31M~99M:±500mm

UNIT:mm		TITLE	Middle Cable Screw F Conn F Pin	
TOLERANCE	±0.5 mm	SCALE	1:1	SIZE A4
REV.	A	WC-REV.	A.1	SHEET 1 OF 1
				QC: Inspection item

Amphenol LTW
 安費諾亮泰企業股份有限公司

ITEM NO	DWG NO	CUSTOMER	DRAWN BY	CHECKED BY	APPROVED BY	DATE
	ACB-XXBFFM-SL7AXX	ALTW	Vicky	Mafei	Max	2017-07-18