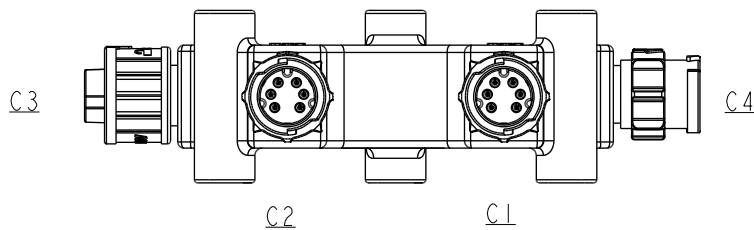
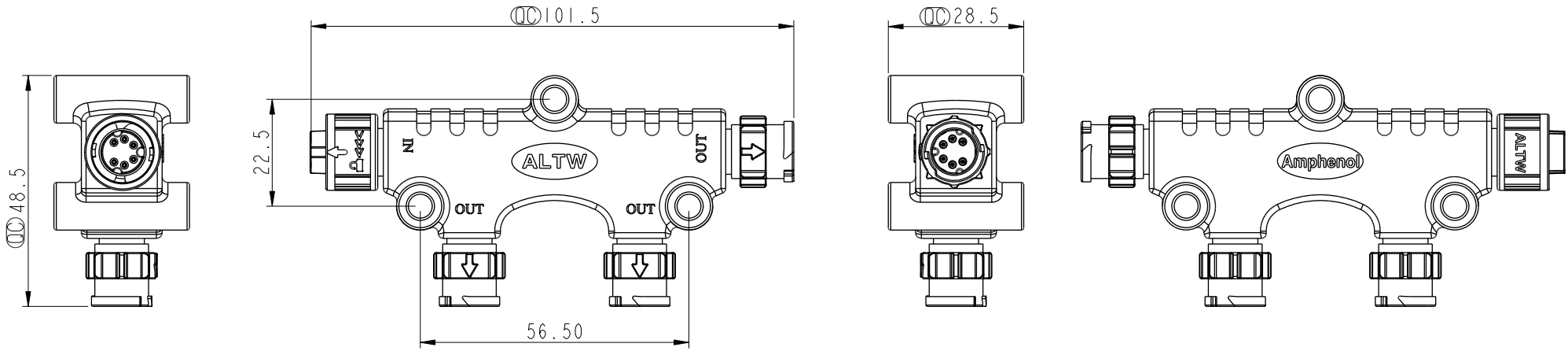




REV.	ECN NO.	DATE	SIGN	DESCRIPTION
A		2022/01/06	Xiaofeng	Initial Release
B	C230086	2023/01/31	Ruru	$\triangle B$ X2



Note:

- \*  $\varnothing$  Important Dimension To Check.
- \*  $\triangle B$  Waterproof rate: IP68, mated 1m/24h
- \* C1 & C2 & C4  
Housing: Thermoplastic, Black  
Male Pin: Copper Alloy, Gold plated  
Nut: Thermoplastic, Black
- \* C3  
Housing: Thermoplastic, Black  
Female Pin: Copper Alloy, Gold plated  
Nut: Thermoplastic, Black

UNIT:mm    
TOLERANCE  
 $\pm 0.50\text{mm}$

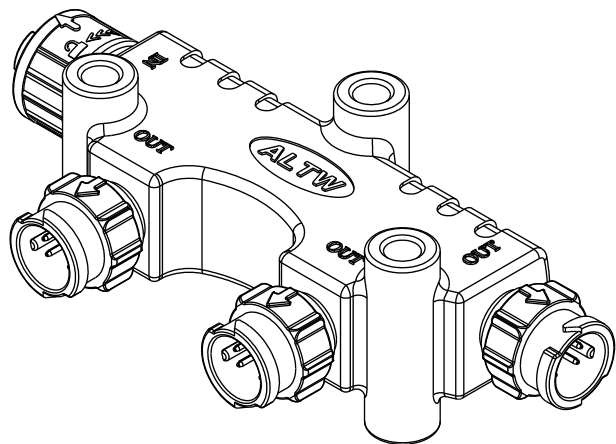
TITLE ACC, XLOK, A-2A, MULTI-PORT CONN, MMFM $\triangle B$			
SCALE 1:1	SIZE A4	SHEET 1 OF 2	
REV. B	WC-REV. .0	$\varnothing$ : Inspection item	

**Amphenol LTW**  
安費諾亮泰企業股份有限公司

ITEM NO.	DRAWN BY Xiaofeng	DATE 2022/01/06
DWG NO. AB-AU-XXXX00-MMFM00-0001	CHECKED BY Feng-Li	DATE 2022/01/06
CUSTOMER ALTW	APPROVED BY Jerry	DATE 2022/01/06

THIS DOCUMENT IS SUBJECT TO CHANGE WITHOUT NOTICE. IT IS CONFIDENTIAL AND A PROPERTY OF Amphenol LTW. DISCLOSURE TO THIRD PARTY HAS TO BE AUTHORIZED BY Amphenol LTW.

THIS DOCUMENT IS SUBJECT TO CHANGE WITHOUT NOTICE. IT IS CONFIDENTIAL AND A PROPERTY OF Amphenol LTW. DISCLOSURE TO THIRD PARTY HAS TO BE AUTHORIZED BY Amphenol LTW.



AB-AD-XXXX00-MMFM00-Q001

Connector Type:

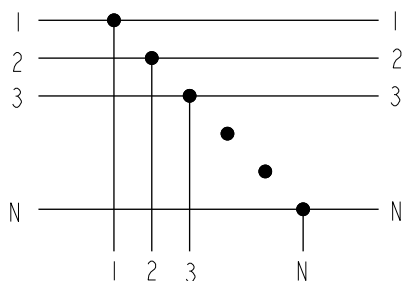
02: 2Pin

03: 3Pin

.

.

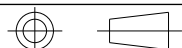
N: N Pin



Connection Diagram

	6PIN														
Female															
Male															
Pin Out	<table border="1"> <thead> <tr> <th>Pin</th> <th>Color</th> </tr> </thead> <tbody> <tr> <td>Pin1</td> <td>Green</td> </tr> <tr> <td>Pin2</td> <td>Red</td> </tr> <tr> <td>Pin3</td> <td>Black</td> </tr> <tr> <td>Pin4</td> <td>White</td> </tr> <tr> <td>Pin6</td> <td>Blue</td> </tr> <tr> <td>Pin7</td> <td>Orange</td> </tr> </tbody> </table>	Pin	Color	Pin1	Green	Pin2	Red	Pin3	Black	Pin4	White	Pin6	Blue	Pin7	Orange
Pin	Color														
Pin1	Green														
Pin2	Red														
Pin3	Black														
Pin4	White														
Pin6	Blue														
Pin7	Orange														

UNIT:mm



TOLERANCE

±0.50mm

TITLE ACC, XLOK, A-2A, MULTI-PORT  
CONN, MMFM

SCALE	1:1	SIZE	A4	SHEET	2	OF	2
REV.	B	WC-REV.	.0	QC: Inspection item			

**Amphenol LTW**

安費諾亮泰企業股份有限公司

ITEM NO

DRAWN BY  
Xiafeng

DATE  
2022/01/06

DWG NO  
AB-AU-XXXX00-MMFM00-Q001

CHECKED BY  
Feng-Li

DATE  
2022/01/06

CUSTOMER  
ALTW

APPROVED BY  
Jerry

DATE  
2022/01/06