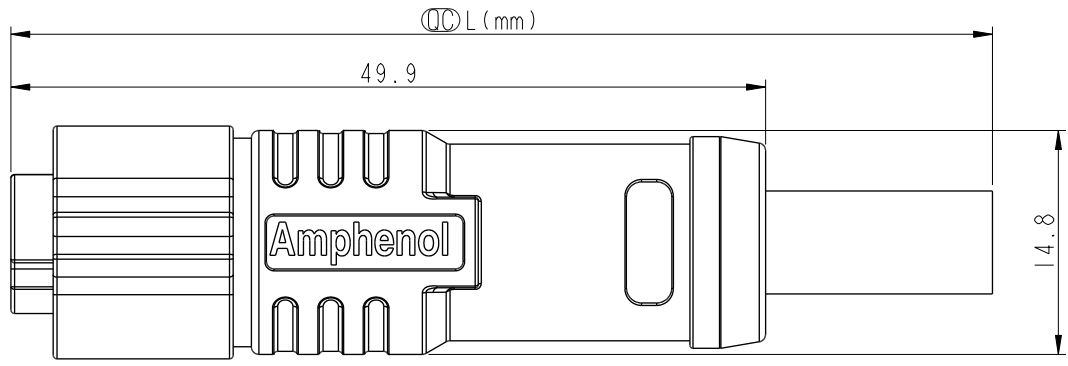
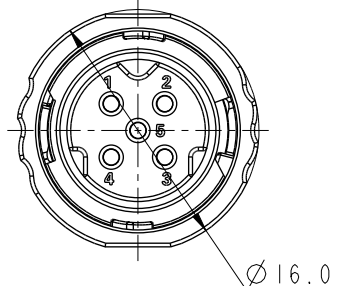


THIS DOCUMENT IS SUBJECT TO CHANGE WITHOUT NOTICE. IT IS CONFIDENTIAL AND A PROPERTY OF Amphenol LTW. DISCLOSURE TO THIRD PARTY HAS TO BE AUTHORIZED BY Amphenol LTW.

REV.	ECN NO.	DATE	SIGN	DESCRIPTION
A		2022-01-03	Sam Ho	Rev.01 to A, Initial Released
B	C230091	2023-02-02	Ruru	$\triangle B$ X2

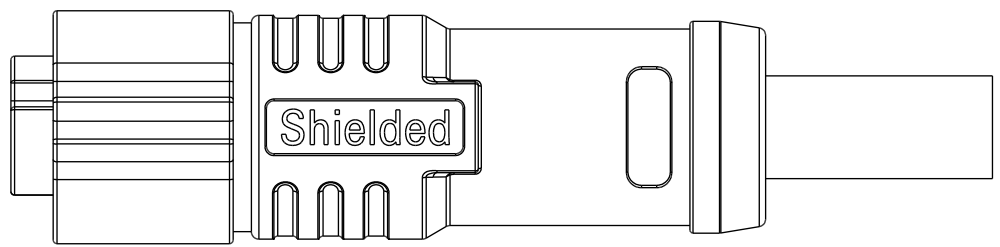
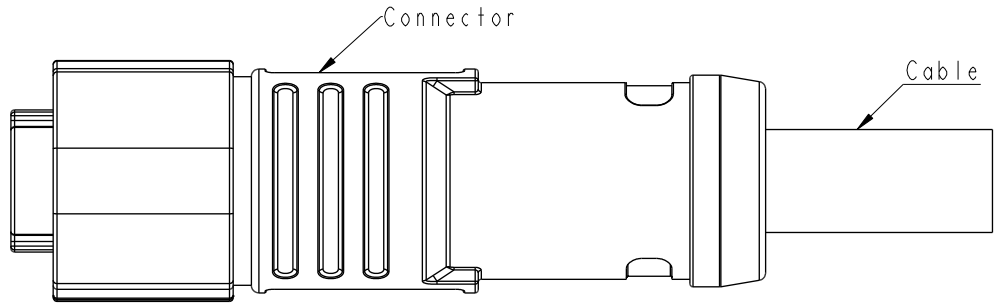
5P	PVC	6.8	20	ASD-05BFFM-QL8FXX
Contacts	Cable Jacket	Cable OD	AWG	Item No.



ASD-XXBFFM-QL8FXX

XX: L=0~99Meters  
01: L=1Meters  
02: L=2Meters  
:  
99: L=99Meters

XX: No. Of Pin



Shield Braid	編織
5 Yellow	黃
4 Orange	橘
3 Red	紅
2 Brown	棕
1 Black	黑
Pin #	Wire
5P	
Pin Assignments Front View	

Note:

- \* RoHS Compliant
- \*  $\phi$  Important dimension
- $\triangle B$  \* Waterproof rate: IP68, mated 1m/24h
- \* Connector

Housing: Thermoplastic, Black  
Pin: Copper alloy, Gold plated  
Shield: Metal  
Nut: Metal  
Outer mold: Thermoplastic, Black

- \* Cable: UL21996, PVC Jacket, Black
- \* Cable length tolerance:

1M	< L	≤ 3M	: +100/-0 mm
3M	< L	≤ 5M	: +150/-0 mm
5M	< L	≤ 10M	: ±100 mm
10M	< L	≤ 20M	: ±200 mm
20M	< L	≤ 30M	: ±300 mm
30M	< L	≤ 99M	: ±500 mm

UNIT:mm	$\phi$		TITLE XLOK, A SHLD-5A, CABLE W/O SR F, F, MOLDING, PUSH LOCK $\triangle B$
TOLERANCE ±0.50mm	SCALE 2:1	SIZE A4	SHEET 1 OF 1
REV. B	WC-REV.	①: Inspection item	

<h1>Amphenol LTW</h1> <p>安費諾亮泰企業股份有限公司</p>		ITEM NO.	DRAWN BY	DATE
		DWG NO.	Sam Ho	2021-09-15
		CUSTOMER	Checked By	DATE
		ALTW	Fred Lee	2021-09-15
			APPROVED BY	DATE
			Fred Lee	2021-09-15