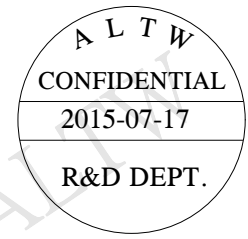
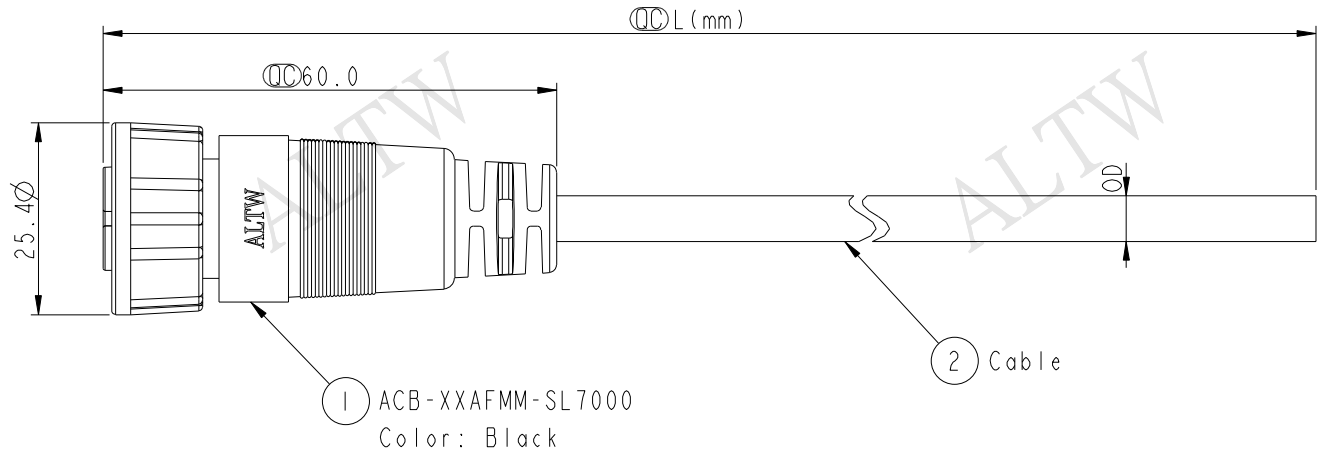
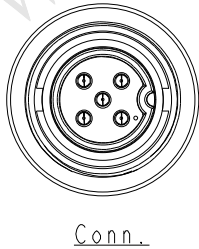


REV.	ECN NO.	DATE	SIGN	DESCRIPTION



5	Green	綠	4	White	白
4	White	白	3	Black	黑
3	Black	黑	2	Blue	藍
2	Blue	藍	1	Brown	棕
1	Brown	棕			

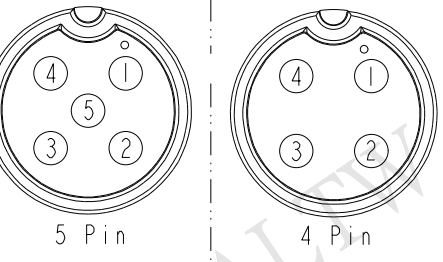
4	White	白	1	Brown	棕
3	Black	黑			
2	Blue	藍			
1	Brown	棕			

ACB-XXAFMM-SL7AXX
 04: 4Pin
 :
 05: 5Pin

XX : 01~99Meters
 01 : 01Meter
 02 : 02Meters
 :
 99 : 99Meters

Cable Length(L): 01~99Meters

- Note:
- * \varnothing Important Dimension To Check.
 - * Waterproof Rate: IP67
 - * Housing: Nylon+GF, Black.
 - * Male Pin: Copper Alloy, Gold Plated.
 - * Screw Nut: Nylon+GF, Black.
 - * Cable: UL2464 20AWG+D+Al/My
 - * Cable Jacket UV Resistant, Black.
 - * Cable Length Tolerance: 01M: 40mm
 02M~05M: ±60mm
 06M~10M: ±100mm
 11M~30M: ±200mm
 31M~99M: ±500mm



5P	PVC	6.0	20	ACB-05AFMM-SL7AXX
4P		5.5		ACB-04AFMM-SL7AXX
Contacts	Cable Jacket	Cable OD	AWG	Item No.

UNIT:mm

TOLERANCE ±0.5

TITLE MIDDLE CABLE SCREW F CONN M PIN			
SCALE 1:1	SIZE A4	SHEET 1 OF 1	
REV. A	WC-REV. A.1	\varnothing : Inspection item	

Amphenol LTW
 安費諾亮泰企業股份有限公司

ITEM NO	DRAWN BY Jinhai	DATE 2015-07-17
DWG NO ACB-XXAFMM-SL7AXX	CHECKED BY Rensong	DATE 2015-07-17
CUSTOMER ALTW	APPROVED BY Jerry	DATE 2015-07-17

THIS DOCUMENT IS SUBJECT TO CHANGE WITHOUT NOTICE. IT IS CONFIDENTIAL AND A PROPERTY OF Amphenol LTW. DISCLOSURE TO THIRD PARTY HAS TO BE AUTHORIZED BY Amphenol LTW.