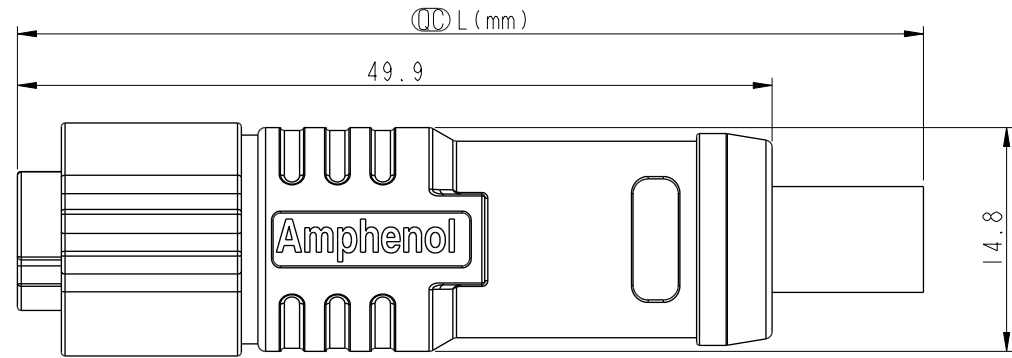
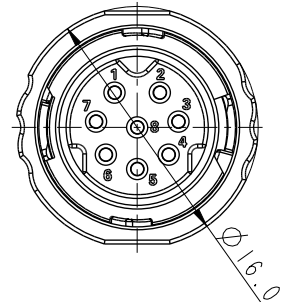


THIS DOCUMENT IS SUBJECT TO CHANGE WITHOUT NOTICE. IT IS CONFIDENTIAL AND A PROPERTY OF Amphenol LTW. DISCLOSURE TO THIRD PARTY HAS TO BE AUTHORIZED BY Amphenol LTW.

8P	PVC	7.0	24	ASU-08BFFM-QL8FXX
Contacts	Cable Jacket	Cable OD	AWG	Item No.

REV.	ECN NO.	DATE	SIGN	DESCRIPTION
A		2022-01-03	Sam Ho	Rev.01 to A, Initial Released
B	C230091	2023-02-02	Ruru	$\triangle B$ X2

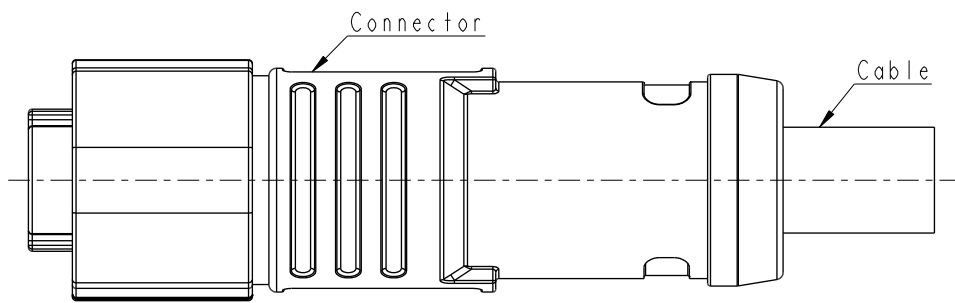


ASU-XXBFFM-QL8FXX

XX: L=0-99Meters
 01: L=1Meters
 02: L=2Meters
 :
 99: L=99Meters

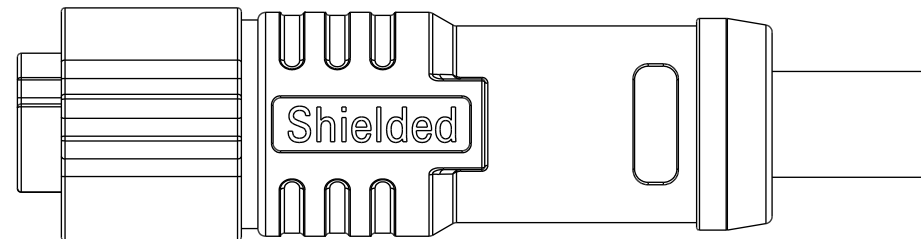
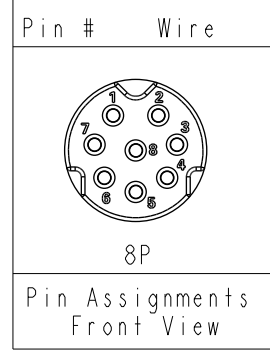
XX: No. Of Pin

Shield Braid	編織
8 Red	紅
7 Blue	藍
6 Pink	粉紅
5 Gray	灰
4 Yellow	黃
3 Green	綠
2 Brown	棕
1 White	白



Note:

- * RoHS Compliant
- * CC Important dimension
- $\triangle B$ * Waterproof rate: IP68, mated 1m/24h
- * Connector
 Housing: Thermoplastic, Black
 Pin: Copper alloy, Gold plated
 Shield: Metal
 Nut: Metal
 Outer mold: Thermoplastic, Black
- * Cable: UL21996, PVC Jacket, Black
- * Cable length tolerance:
 1M: +50/-0 mm
 1M < L ≤ 3M: +100/-0 mm
 3M < L ≤ 5M: +150/-0 mm
 5M < L ≤ 10M: ±100 mm
 10M < L ≤ 20M: ±200 mm
 20M < L ≤ 30M: ±300 mm
 30M < L ≤ 99M: ±500 mm



UNIT:mm	CC	CC
TOLERANCE	±0.50mm	

TITLE XLOK, A SHLD-2A, CABLE W/O SR F, F, MOLDING, PUSH LOCK $\triangle B$			
SCALE 2:1	SIZE A4	SHEET 1 OF 1	
REV. B	WC-REV.	CC : Inspection item	

Amphenol LTW
 安費諾亮泰企業股份有限公司

ITEM NO.	DRAWN BY Sam Ho	DATE 2021-12-03
DWG NO. ASU-XXBFFM-QL8FXX	CHECKED BY Fred Lee	DATE 2021-12-03
CUSTOMER ALTW	APPROVED BY Fred Lee	DATE 2021-12-03