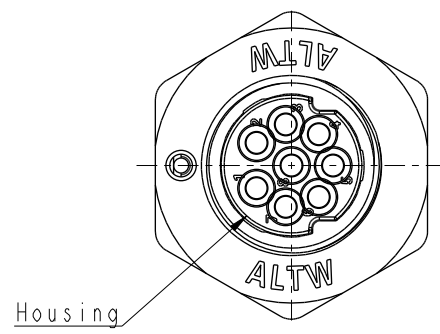
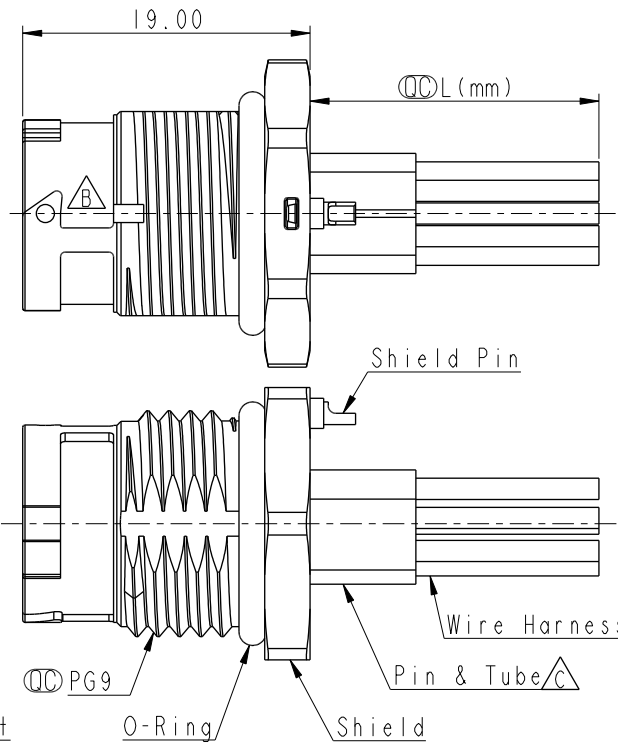
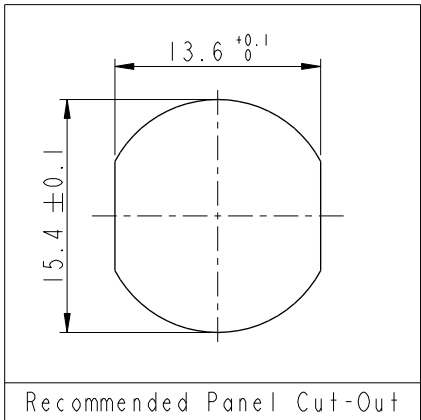


THIS DOCUMENT IS SUBJECT TO CHANGE WITHOUT NOTICE. IT IS CONFIDENTIAL AND A PROPERTY OF Amphenol LTW. DISCLOSURE TO THIRD PARTY HAS TO BE AUTHORIZED BY Amphenol LTW.

REV.	ECN NO.	DATE	SIGN	DESCRIPTION
B	C220386	2022-03-29	Sam Ho	$\triangle B$ X1
C	C221130	2022-07-25	Sam Ho	$\triangle C$ X2
D	C230086	2023-01-31	Ruru	$\triangle D$ X1

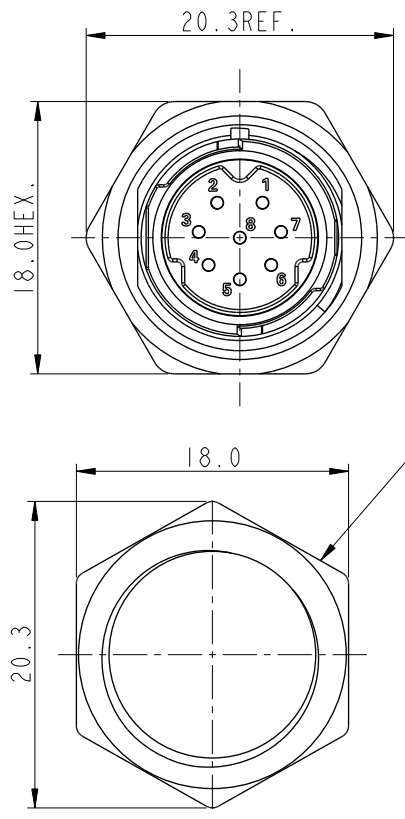


8	Red	紅
7	Blue	藍
6	Pink	粉紅
5	Gray	灰
4	Yellow	黃
3	Green	綠
2	Brown	棕
1	White	白

Pin # Wire

8P

Pin Assignments Front View



ASU-XXPMMS-QC8AXX

XX: L=10~150cm  
 10: L=10cm  
 15: L=15cm  
 :  
 A0: L=100cm  
 A1: L=110cm  
 :

XX: No. Of Pin

- Note:
- \* RoHS Compliant
  - \*  $\text{⌀}$  Important dimension
  - $\triangle D$  \* Waterproof rate: IP68, unmated 1m/24h
  - \* Housing: Thermoplastic, Black
  - \* Pin: Copper Alloy, Gold plated
  - $\triangle C$  \* Shield Pin: Copper Alloy, Tin plated
  - \* Shield: Metal
  - \* Nut: Metal
  - \* O-Ring: Rubber, Black
  - \* Wire harness: UL1430, 24#,  $\text{⌀}1.4$ .
  - \* For panel thickness max: 4.5mm
  - \* Nut is packed separately in pe bag
  - \* Wire harness tolerance:
- |                      |       |
|----------------------|-------|
| 100mm:               | ±10mm |
| 100mm < L ≤ 300mm:   | ±15mm |
| 300mm < L ≤ 1000mm:  | ±20mm |
| 1000mm < L ≤ 1500mm: | ±50mm |

UNIT:mm	$\text{⌀}$	$\text{⌀}$	TITLE XLOK, A SHLD-2A, FRONT FASTENED M, M, SOLDER, PUSH LOCK $\triangle D$
TOLERANCE ±0.50mm	SCALE 2:1	SIZE A4	SHEET 1 OF 1
REV. D	WC-REV.	$\text{⌀}$ Inspection item	

**Amphenol LTW**  
 安費諾亮泰企業股份有限公司

ITEM NO.	DRAWN BY Sam Ho	DATE 2021-12-03
DWG NO. ASU-XXPMMS-QC8AXX	CHECKED BY Fred Lee	DATE 2021-12-03
CUSTOMER ALTW	APPROVED BY Fred Lee	DATE 2021-12-03