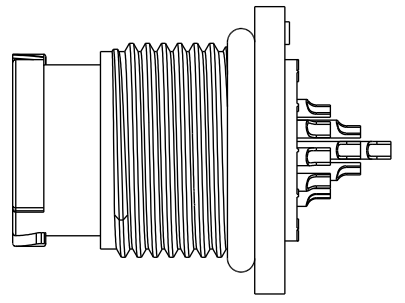
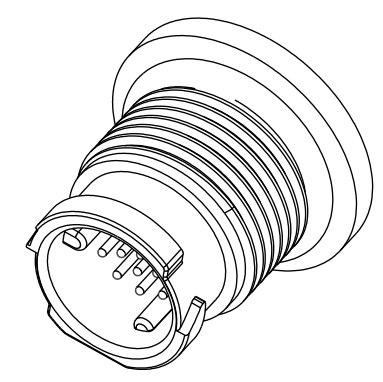
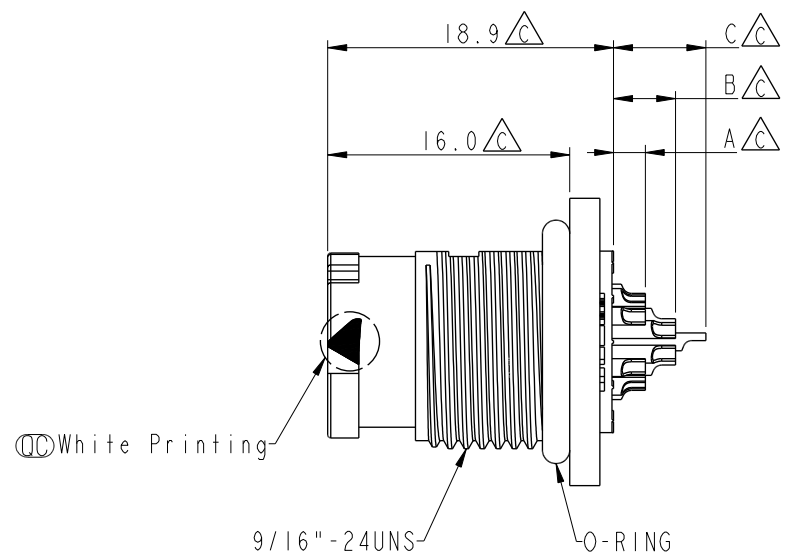
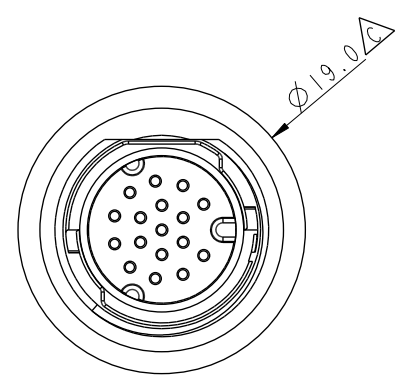
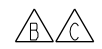
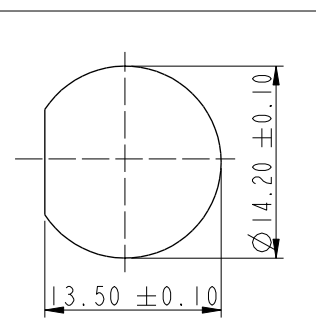


THIS DOCUMENT IS SUBJECT TO CHANGE WITHOUT NOTICE. IT IS CONFIDENTIAL AND A PROPERTY OF AMPHENOL LTW. DISCLOSURE TO THIRD PARTY HAS TO BE AUTHORIZED BY AMPHENOL LTW.

REV.	ECN NO.	DATE	SIGN	DESCRIPTION
B	C210482	2021/03/29	Ouyang	X2
C	C220302	2022/03/10	Angel Chou	X14
D	C230086	2023/01/31	Ruru	X1



- Note:
- * RoHS Compliant
 - * Important Dimension
 - * Waterproof Rate: IP68, Unmated 1m/24h
 - * Connector
 - Housing: Thermoplastic, Black
 - Pin: Copper Alloy, Gold Plated
 - Nut: Thermoplastic, Black
 - O-Ring: Rubber, Gray
 - * Use without waterproof cap or dust cap
Panel thickness Max: 4.0mm
 - * Use with waterproof cap or dust cap
Panel thickness Max: 3.0mm
 - * Nut is packed separately in PE bag



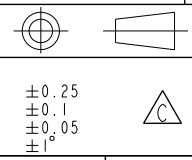
AZ-10PMMS-QC8001	2.1	4.1	
AZ-12PMMS-QC8001	2.1	4.1	
AZ-17PMMS-QC8001	2.1	4.1	6.1

Recommended Panel Cut-out

Item No.	Pin伸出長度		
	A	B	C

UNIT: mm

TOLERANCE	
.X	±0.25
.XX	±0.1
.XXX	±0.05
ANGLES	±1°



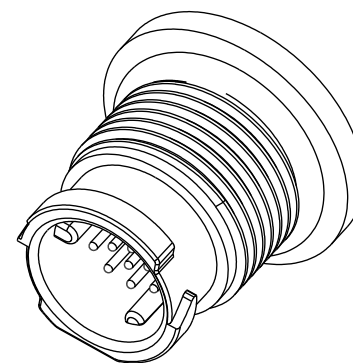
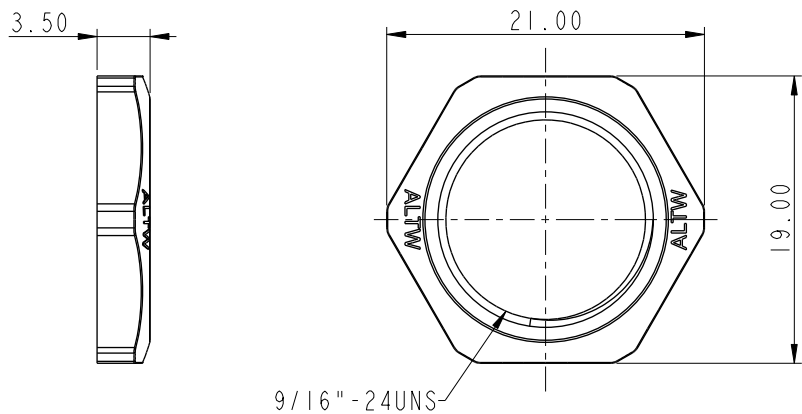
TITLE			
XLOK, A-1.5A, FRONT FASTENED M, M, SOLDER, PUSH LOCK			
SCALE	SIZE	SHEET OF	
1:1	A4	1 OF 2	
REV.	WC-REV.	QC: Inspection item	
D	.0		

Amphenol LTW
安費諾亮泰企業股份有限公司

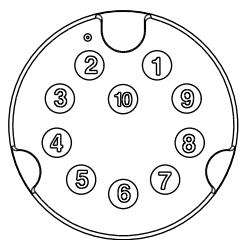
ITEM NO.	DRAWN BY	DATE
	Ouyang	2021-03-24
DWG NO.	CHECKED BY	DATE
AZ-XXPMMS-QC8001	Jerry	2021-03-24
CUSTOMER	APPROVED BY	DATE
ALTW	Fred	2021-03-24

THIS DOCUMENT IS SUBJECT TO CHANGE WITHOUT NOTICE. IT IS CONFIDENTIAL AND A PROPERTY OF AMPHENOL LTW. DISCLOSURE TO THIRD PARTY HAS TO BE AUTHORIZED BY AMPHENOL LTW.

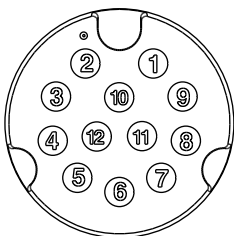
△B



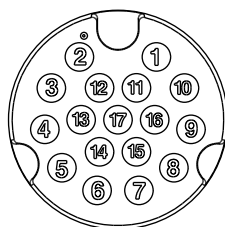
NUT



10Pin



12Pin



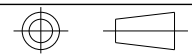
17Pin

Pin Assignments Front View(10~17PIN)

△AZ-XXPMMS-QC8001

XX: No. Of Pin

UNIT:mm



TITLE XLOK, A-1.5A, FRONT FASTENED M, M, SOLDER, PUSH LOCK △

Amphenol LTW

安費諾亮泰企業股份有限公司

ITEM NO	DRAWN BY	DATE
	Ouyang	2021-03-24
DWG NO	CHECKED BY	DATE
AZ-XXPMMS-QC8001	Jerry	2021-03-24
CUSTOMER	APPROVED BY	DATE
ALTW	Fred	2021-03-24

TOLERANCE
 .X ±0.25
 .XX ±0.1
 .XXX ±0.05
 ANGLES ±1°

△

SCALE 1:1 SIZE A4 SHEET 2 OF 2
 REV. D WC-REV. .0

QC: Inspection item