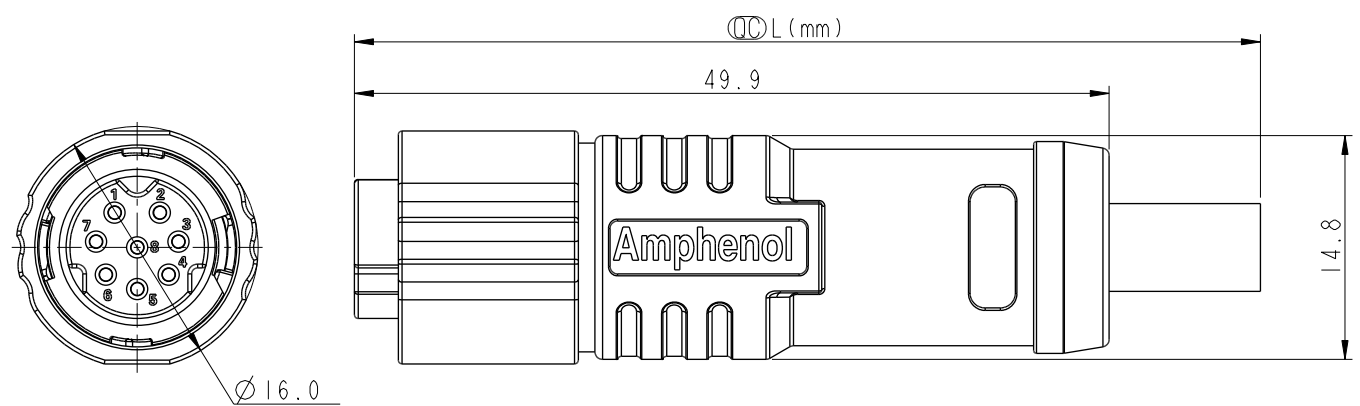


THIS DOCUMENT IS SUBJECT TO CHANGE WITHOUT NOTICE. IT IS CONFIDENTIAL AND A PROPERTY OF Amphenol LTW. DISCLOSURE TO THIRD PARTY HAS TO BE AUTHORIZED BY Amphenol LTW.

8P	TPU	5.8	24	ASU-08BFFM-QL8BXX
Contacts	Cable Jacket	Cable OD	AWG	Item No.

REV.	ECN NO.	DATE	SIGN	DESCRIPTION
A		2022-02-23	Jiahe Lin	Rev.01 to A, Initial Released
B	C230091	2023-02-02	Ruru	$\triangle B$ X2

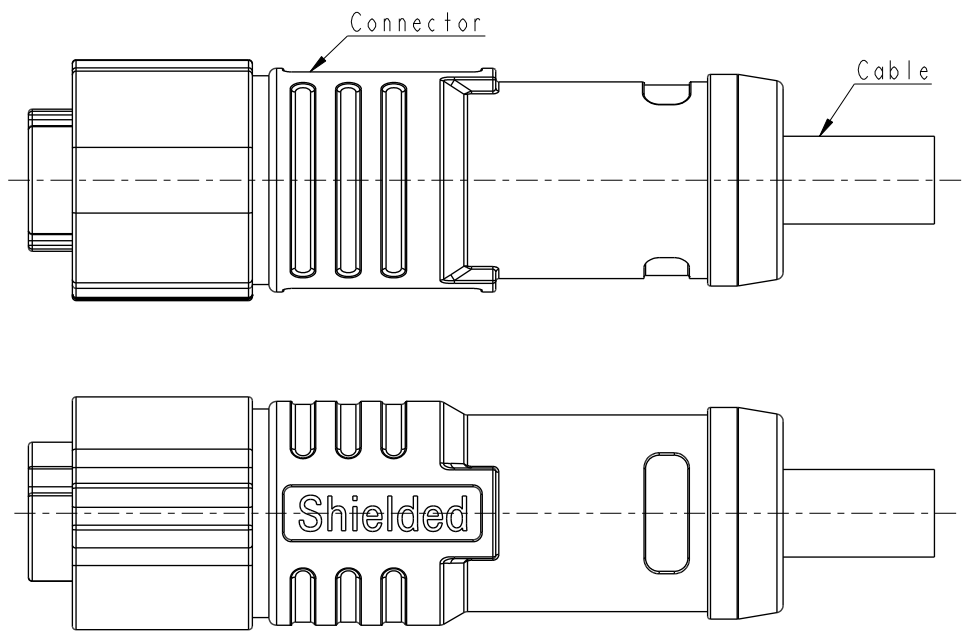


ASU-XXBFFM-QL8BXX

XX: L=0-99Meters  
 01: L=1Meters  
 02: L=2Meters  
 :  
 99: L=99Meters

XX: No. Of Pin

Shield Braid	編織
8 Red	紅
7 Blue	藍
6 Pink	粉紅
5 Gray	灰
4 Yellow	黃
3 Green	綠
2 Brown	棕
1 White	白
Pin #	Wire
8P	
Pin Assignments Front View	



Note:

- \* RoHS Compliant
- \*  $\text{\textcircled{C}}$  Important dimension
- $\triangle B$ \* Waterproof rate: IP68, mated 1m/24h
- \* Connector
- Housing: Thermoplastic, Black
- Pin: Copper alloy, Gold plated
- Shield: Metal
- Nut: Metal
- Outer mold: Thermoplastic, Black
- \* Cable: UL20549, TPU Jacket, Black
- \* Cable length tolerance:
- 1M: +50/-0 mm
- 1M < L ≤ 3M: +100/-0 mm
- 3M < L ≤ 5M: +150/-0 mm
- 5M < L ≤ 10M: ±100 mm
- 10M < L ≤ 20M: ±200 mm
- 20M < L ≤ 30M: ±300 mm
- 30M < L ≤ 99M: ±500 mm

UNIT:mm	$\text{\textcircled{C}}$	$\text{\textcircled{C}}$	TITLE
TOLERANCE			XLOK, A SHLD-2A, CABLE W/O SR F, F, MOLDING, PUSH LOCK $\triangle B$
±0.5mm	SCALE	SIZE	SHEET OF
	2:1	A4	1 OF 1
	REV.	WC-REV.	$\text{\textcircled{C}}$ : Inspection item
	B		

**Amphenol LTW**  
 安費諾亮泰企業股份有限公司

ITEM NO.	DRAWN BY	DATE
	Jiahe Lin	2022-02-23
DWG NO.	CHECKED BY	DATE
ASU-XXBFFM-QL8BXX	Allen Pan	2022-02-23
CUSTOMER	APPROVED BY	DATE
ALTW	Fred Lee	2022-02-23