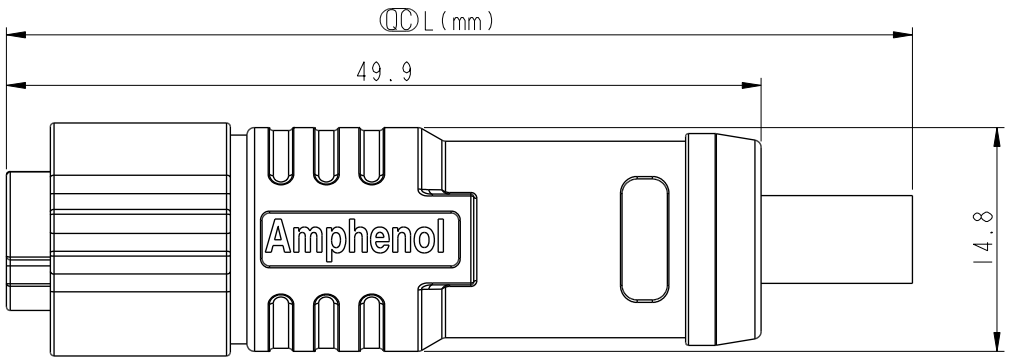
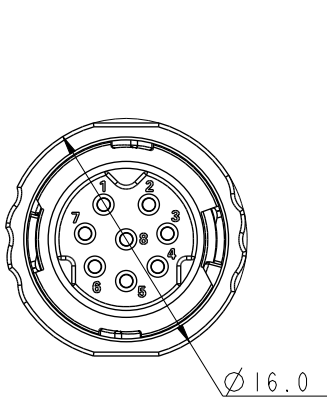


THIS DOCUMENT IS SUBJECT TO CHANGE WITHOUT NOTICE. IT IS CONFIDENTIAL AND A PROPERTY OF Amphenol LTW. DISCLOSURE TO THIRD PARTY HAS TO BE AUTHORIZED BY Amphenol LTW.

8P	PVC	5.8	24	ASU-08BFFM-QL8CXX
Contacts	Cable Jacket	Cable OD	AWG	Item No.

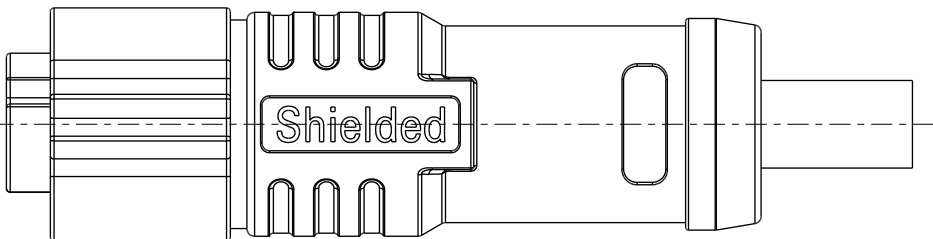
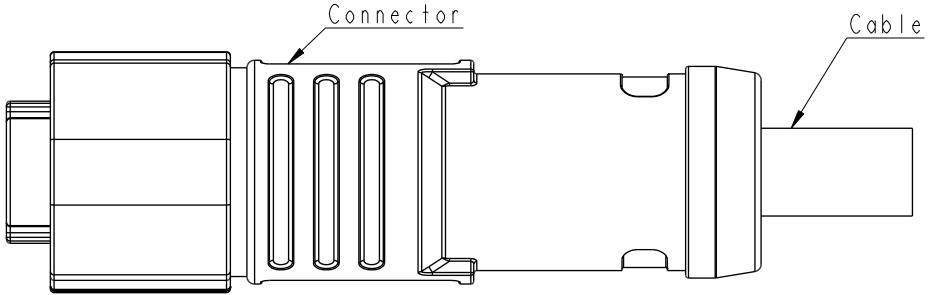
REV.	ECN NO.	DATE	SIGN	DESCRIPTION
A		2022-02-23	Jiahe Lin	Rev.01 to A, Initial Released
B	C230091	2023-02-02	Ruru	$\triangle B$ X2



ASU-XXBFFM-QL8CXX

XX: L=0-99Meters  
 01: L=1Meters  
 02: L=2Meters  
 :  
 99: L=99Meters

XX: No. Of Pin



Shield Braid	編織
8 Red	紅
7 Blue	藍
6 Pink	粉紅
5 Gray	灰
4 Yellow	黃
3 Green	綠
2 Brown	棕
1 White	白

Pin #	Wire
8P	
Pin Assignments Front View	

Note:

- \* RoHS Compliant
- \*  $\varnothing$  Important dimension
- $\triangle B$ \* Waterproof rate: IP68, mated 1m/24h
- \* Connector

Housing: Thermoplastic, Black  
 Pin: Copper alloy, Gold plated  
 Shield: Metal  
 Nut: Metal  
 Outer mold: Thermoplastic, Black

- \* Cable: UL2517, PVC Jacket, Black
- \* Cable length tolerance:

1M:	+50/-0 mm
1M < L ≤ 3M:	+100/-0 mm
3M < L ≤ 5M:	+150/-0 mm
5M < L ≤ 10M:	±100 mm
10M < L ≤ 20M:	±200 mm
20M < L ≤ 30M:	±300 mm
30M < L ≤ 99M:	±500 mm

UNIT:mm		TITLE	XLOK, A SHLD-2A, CABLE W/O SR F, F, MOLDING, PUSH LOCK $\triangle B$	
TOLERANCE	±0.5mm	SCALE	2:1	SIZE A4
		REV.	B	WC-REV.
				$\varnothing$ : Inspection item

**Amphenol LTW**  
 安費諾亮泰企業股份有限公司

ITEM NO.	DRAWN BY	DATE
	Jiahe Lin	2022-02-23
DWG NO.	CHECKED BY	DATE
ASU-XXBFFM-QL8CXX	Allen Pan	2022-02-23
CUSTOMER	APPROVED BY	DATE
ALTW	Fred Lee	2022-02-23