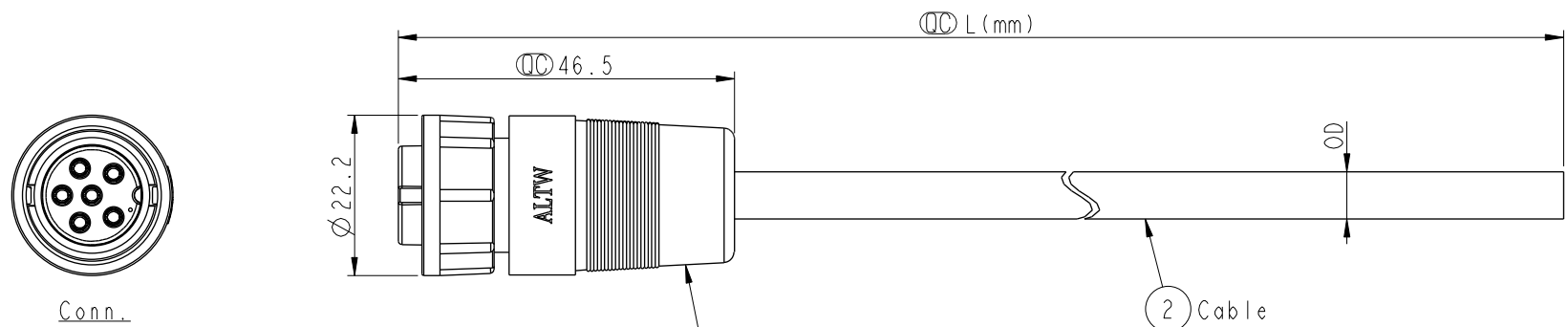


THIS DOCUMENT IS SUBJECT TO CHANGE WITHOUT NOTICE. IT IS CONFIDENTIAL AND A PROPERTY OF Amphenol LTW. DISCLOSURE TO THIRD PARTY HAS TO BE AUTHORIZED BY Amphenol LTW.

REV.	ECN NO.	DATE	SIGN	DESCRIPTION



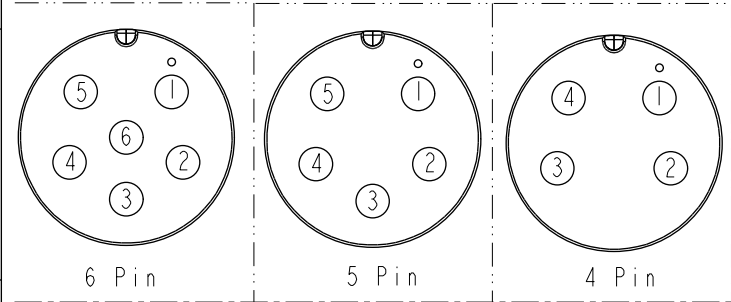
6P	PVC	6.5	20	ACB-06BFFM-LL7AXX
5P		6.0		ACB-05BFFM-LL7AXX
4P		5.5		ACB-04BFFM-LL7AXX
Contacts	Cable Jacket	Cable OD	AWG	Item No.



6	Gray 灰	5	Green 綠	4	White 白
5	Yellow 黃	4	White 白	3	Black 黑
4	Green 綠	3	Black 黑	2	Blue 藍
3	White 白	2	Blue 藍	1	Brown 棕
2	Blue 藍	1	Brown 棕		
1	Brown 棕				
Pin #	Wire	Pin #	Wire	Pin #	Wire

ACB-XXBFFM-LL7AXX  
 04: 4Pin  
 06: 6Pin  
 XX : 01~99Meters  
 01 : 01Meter  
 02 : 02Meters  
 ..  
 99 : 99Meters  
 Cable Length(L): 01~99Meters

Note:  
 \*  $\varnothing$  Important Dimension To Check  
 \* Waterproof Rate: IP67  
 \* Housing: Nylon+GF, Black  
 \* Female Pin: Copper Alloy, Gold Plated  
 \* Lock Nut: Nylon+GF, Black  
 \* Cable: UL2464 20AWG+D+Al/My, PVC Jacket UV Resistant, Black  
 \* Cable Length Tolerance: 01M:±40mm  
 02M~05M:±60mm  
 06M~10M:±100mm  
 11M~30M:±200mm  
 31M~99M:±500mm



UNIT:mm		TITLE
TOLERANCE	±0.5 mm	Middle Cable Lock F Conn F Pin
SCALE	1:1	SIZE A4
REV.	A	SHEET 1 OF 1
WC-REV.	A.1	$\varnothing$ : Inspection item

**Amphenol LTW**  
 安費諾亮泰企業股份有限公司

ITEM NO	DRAWN BY	DATE
DWG NO	CHECKED BY	DATE
CUSTOMER	APPROVED BY	DATE
ALTW	Vicky	2017-07-18
	Mafei	2017-07-18
	Max	2017-07-18