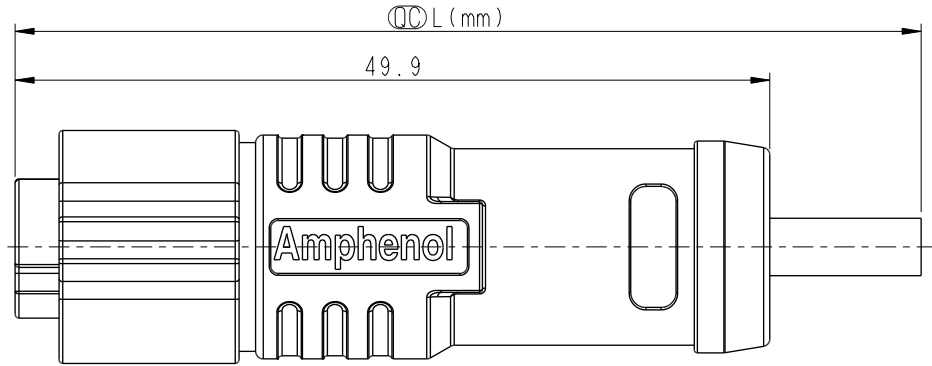
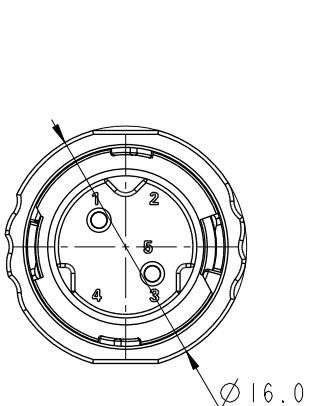


THIS DOCUMENT IS SUBJECT TO CHANGE WITHOUT NOTICE. IT IS CONFIDENTIAL AND A PROPERTY OF Amphenol LTW. DISCLOSURE TO THIRD PARTY HAS TO BE AUTHORIZED BY Amphenol LTW.

2P	PUR	3.8	26	ASD-02BFFM-QL8PXX
Contacts	Cable Jacket	Cable OD	AWG	Item No.

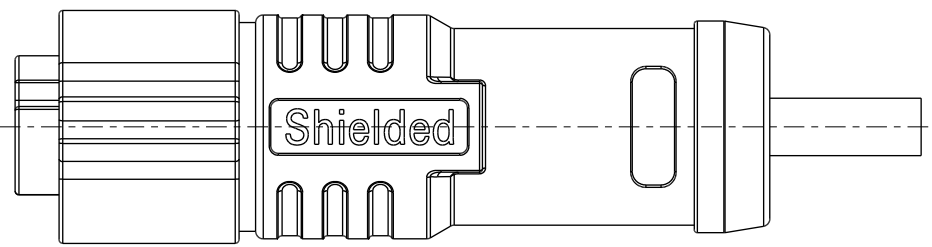
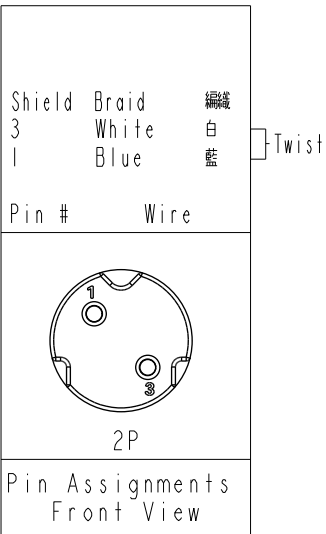
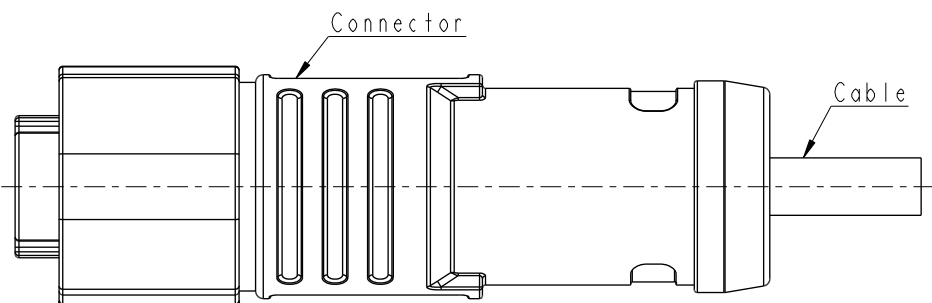
REV.	ECN NO.	DATE	SIGN	DESCRIPTION
A		2022-03-17	Sam Ho	Rev.01 to A, Initial Released
B	C230091	2023-02-02	Ruru	$\triangle B$ X2



ASD-XXBFFM-QL8PXX

XX: L=0~15Meters
01: L=1Meters
02: L=2Meters
:
15: L=15Meters

XX: No. Of Pin



Note:

- * RoHS Compliant
- * ϕ Important dimension
- $\triangle B$ * Waterproof rate: IP68, mated 1m/24h
- * Connector

Housing: Thermoplastic, Black
Pin: Copper alloy, Gold plated
Shield: Metal
Nut: Metal
Outer mold: Thermoplastic, Black

- * Cable: IEC61156-12, 26#*IP+AL/MY+B, PUR Jacket, OD 3.8mm, GN.
- * Cable length tolerance:
1M: +50/-0 mm
1M < L ≤ 3M: +100/-0 mm
3M < L ≤ 5M: +150/-0 mm
5M < L ≤ 10M: ±100 mm
10M < L ≤ 15M: ±200 mm

UNIT: mm

TOLERANCE

±0.50mm

TITLE

XLOK, A SHLD-5A, CABLE W/O SR
F, F, MOLDING, PUSH LOCK $\triangle B$

SCALE	2:1	SIZE	A4	SHEET	1	OF	1
REV.	B	WC-REV.		ϕ	Inspection item		

Amphenol LTW
安費諾亮泰企業股份有限公司

ITEM NO.	DRAWN BY	DATE
	Sam Ho	2022-03-17
DWG NO.	CHECKED BY	DATE
ASD-XXBFFM-QL8PXX	Fred Lee	2022-03-17
CUSTOMER	APPROVED BY	DATE
ALTW	Fred Lee	2022-03-17