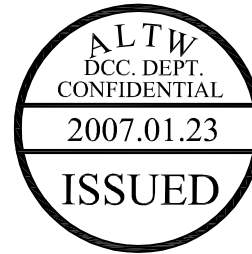
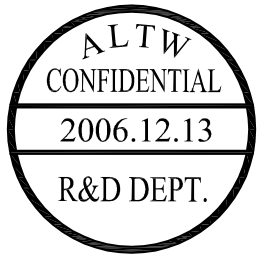
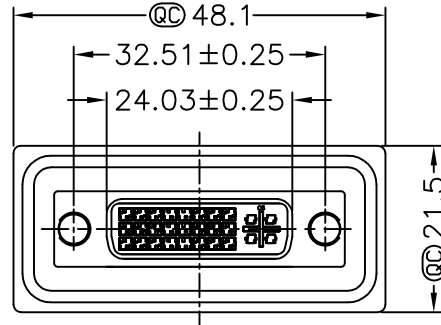
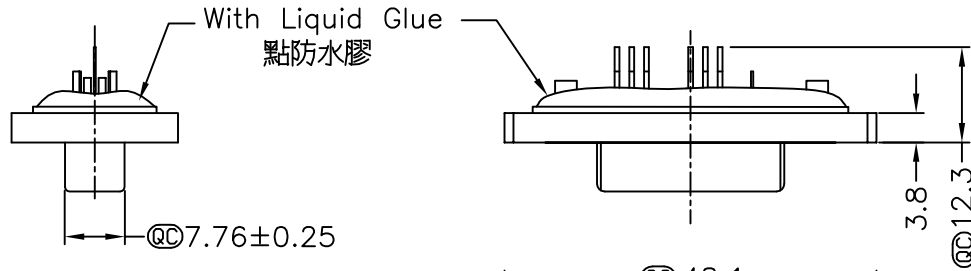
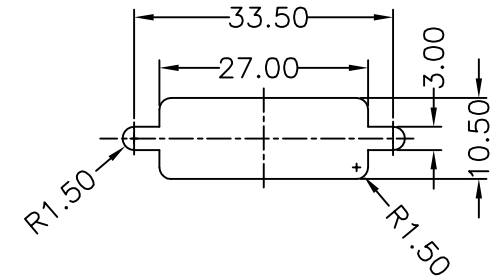


REV.	ECN NO.	DATE	SIGN	DESCRIPTION
A		2006/03/22	DAVID	Released Rev.A
B	LE3-710145	2006/12/13	Gao Ling	Move 0-ring to ZSE00100841



Screw L=5.0 For Panel Thickness Under 1.2mm  
適用板厚為 1.2mm 以下

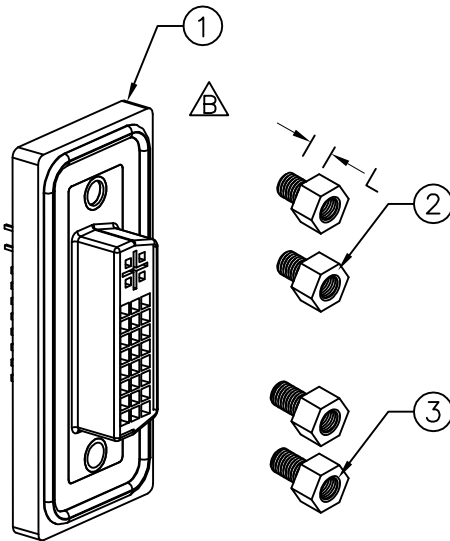
Screw L=6.0 For Panel Thickness Between 1.2~2.0mm  
適用板厚為 1.2~2.0mm



Recommended Panel Cut-Out  
建議挖孔尺寸

Note:

- \*  $\text{QC}$  Important Dimension.
- \* Waterproof Rate : IP68  
IP68:1M of depth of water 24 hours  
( 防水等級 IP68 )  
( IP68:1 米水深 24 小時 )
- \* Do Mating Test After Glued  
點膠後, 須作對插測試
- \* Add glue can't highly exceed pin  
( 點膠高度不得蓋過 pin 針 )
- $\triangle B$  \* DVI Conn. : Black Core , Nylon66
- \* Plastic Jacket : Black , Nylon+GF
- $\triangle B$  \* Pin : Copper Alloy , Gold Plated
- \* Ring : Light Blue, Silicone
- $\triangle B$  \* Screw : Copper Alloy, Nickel Plated, #4-40 UNC



UNIT:mm	
TOLERANCE	
.X	$\pm 0.25$
.XX	$\pm 0.1$
.XXX	$\pm 0.05$
ANGLES	$\pm 1^\circ$

TITLE	
Female DVI Connector(18+1)	
SCALE	Free
SHEET	1 OF 1
REV.	B
SIZE	A4
$\text{QC}$ : Inspection Item	

**Amphenol LTW**  
安費諾亮泰企業股份有限公司

ITEM NO	DDS-19PFFS-SL8001
DWG NO	DDS-19PFFS-SL8001
CUSTOMER	ALTW

DRAWN BY	Gao Ling	DATE	2006/12/13
CHECKED BY	Simon	DATE	2006/12/13
APPROVED BY	Max	DATE	2006/12/13

THIS DOCUMENT IS SUBJECT TO CHANGE WITHOUT NOTICE. IT IS CONFIDENTIAL AND A PROPERTY OF Amphenol LTW. DISCLOSURE TO THIRD PARTY HAS TO BE AUTHORIZED BY Amphenol LTW.