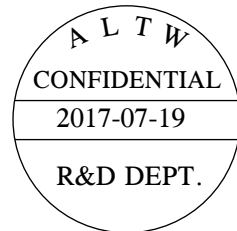
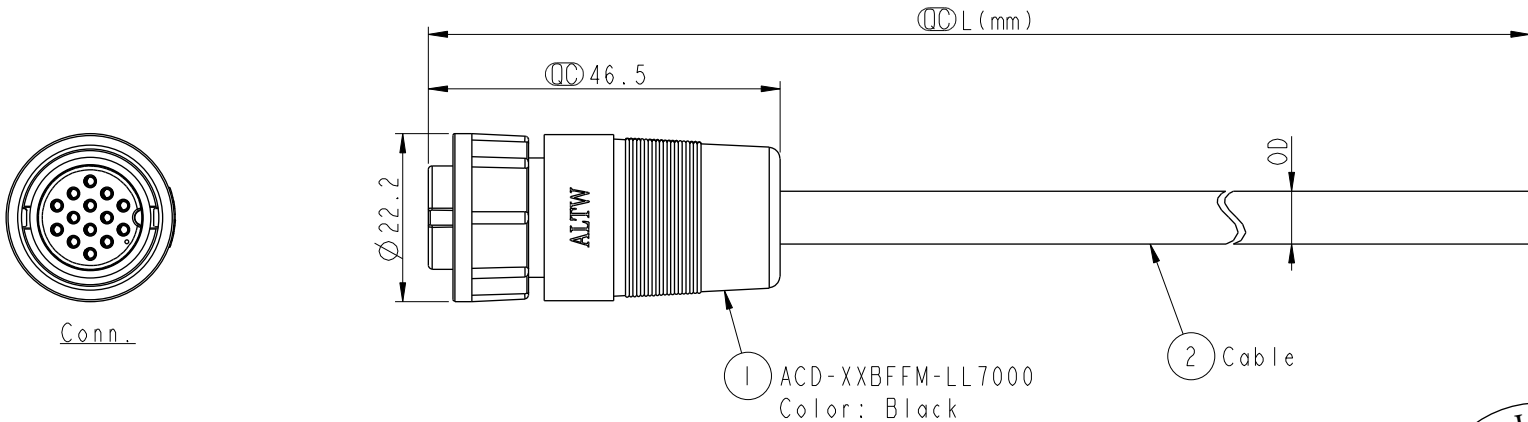


THIS DOCUMENT IS SUBJECT TO CHANGE WITHOUT NOTICE. IT IS CONFIDENTIAL AND A PROPERTY OF Amphenol LTW. DISCLOSURE TO THIRD PARTY HAS TO BE AUTHORIZED BY Amphenol LTW.

REV.	ECN NO.	DATE	SIGN	DESCRIPTION



ACD-XXBFFM-LL7AXX
 07: 7Pin
 :
 14: 14Pin

XX : 01~99Meters
 01 : 01Meter
 02 : 02Meters
 :
 99 : 99Meters

Cable Length(L): 01~99Meters

Note:
 * \varnothing Important Dimension To Check
 * Waterproof Rate: IP67
 * Housing: Nylon+GF, Black.
 * Female Pin: Copper Alloy, Gold Plated
 * Lock Nut: Nylon+GF, Black
 * Cable: UL2464 24AWG+Drain+Al/My,
 PVC Jacket UV Resistant, Black
 * Cable Length Tolerance: 01M: ±40mm
 02M~05M: ±60mm
 06M~10M: ±100mm
 11M~30M: ±200mm
 31M~99M: ±500mm

14P	PVC	7.0	24	ACD-14BFFM-LL7AXX
12P		7.0		ACD-12BFFM-LL7AXX
10P		6.5		ACD-10BFFM-LL7AXX
9P		6.0		ACD-09BFFM-LL7AXX
8P		5.5		ACD-08BFFM-LL7AXX
7P		5.8		ACD-07BFFM-LL7AXX
Contacts	Cable Jacket	Cable OD	AWG	Item No.

UNIT:mm		TITLE	Middle Cable Lock F Conn F Pin
TOLERANCE	±0.5 mm	SCALE	1:1
		SIZE	A4
		SHEET	1 OF 2
		REV.	A
		WC-REV.	A.1
		\varnothing	Inspection item

Amphenol LTW
 安費諾亮泰企業股份有限公司

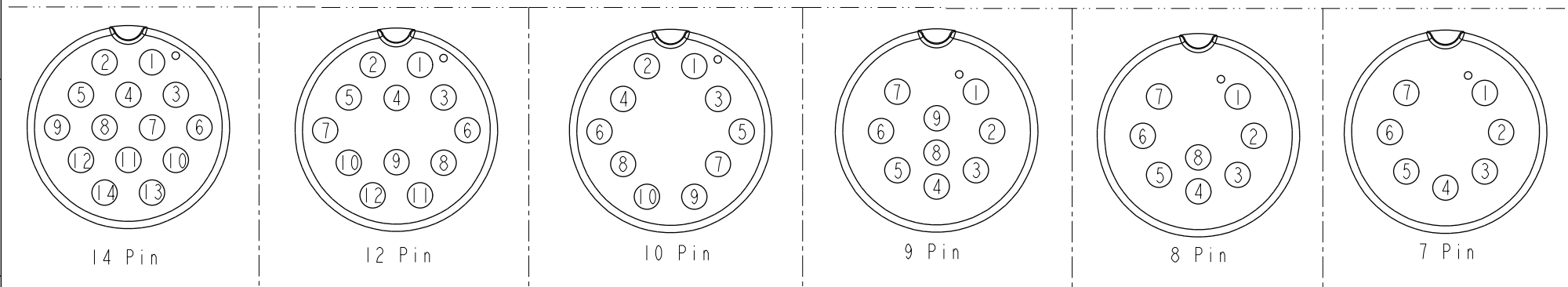
ITEM NO	DRAWN BY	DATE
	Vicky	2017-07-19
DWG NO	CHECKED BY	DATE
ACD-XXBFFM-LL7AXX	Mafei	2017-07-19
CUSTOMER	APPROVED BY	DATE
ALTW	Max	2017-07-19

THIS DOCUMENT IS SUBJECT TO CHANGE WITHOUT NOTICE. IT IS CONFIDENTIAL AND A PROPERTY OF Amphenol LTW. DISCLOSURE TO THIRD PARTY HAS TO BE AUTHORIZED BY Amphenol LTW.



14 Brown/White 棕/白 13 Black/White 黑/白 12 Light Green 淺綠 11 Purple 紫 10 Orange 橙 9 Black 黑 8 Red 紅 7 Pink 粉紅 6 Gray 灰 5 Yellow 黃 4 Green 綠 3 White 白 2 Blue 藍 1 Brown 棕 Pin # Wire	12 Light Green 淺綠 11 Purple 紫 10 Orange 橙 9 Black 黑 8 Red 紅 7 Pink 粉紅 6 Gray 灰 5 Yellow 黃 4 Green 綠 3 White 白 2 Blue 藍 1 Brown 棕 Pin # Wire	10 Orange 橙 9 Black 黑 8 Red 紅 7 Pink 粉紅 6 Gray 灰 5 Yellow 黃 4 Green 綠 3 White 白 2 Blue 藍 1 Brown 棕 Pin # Wire	9 Black 黑 8 Red 紅 7 Pink 粉紅 6 Gray 灰 5 Yellow 黃 4 Green 綠 3 White 白 2 Blue 藍 1 Brown 棕 Pin # Wire	8 Green 綠 7 Yellow 黃 6 Orange 橙 5 Red 紅 4 Blue 藍 3 White 白 2 Brown 棕 1 Black 黑 Pin # Wire	7 White 白 6 Green 綠 5 Brown 棕 4 Red 紅 3 Yellow 黃 2 Orange 橙 1 Blue 藍 Pin # Wire
---	---	---	--	---	--

Pin Out



Pin Assignments Front View

UNIT:mm SCALE 1:1 REV. A	TITLE Middle Cable Lock F Conn F Pin SIZE A4 SHEET 2 OF 2 WC-REV. A.1 QC: Inspection item	Amphenol LTW 安費諾亮泰企業股份有限公司		ITEM NO DWG NO CUSTOMER	DRAWN BY Vicky CHECKED BY Mafei APPROVED BY Max	DATE 2017-07-19 DATE 2017-07-19 DATE 2017-07-19
				ALTW	ALTW	ALTW
				ALTW	ALTW	ALTW