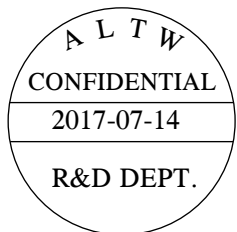
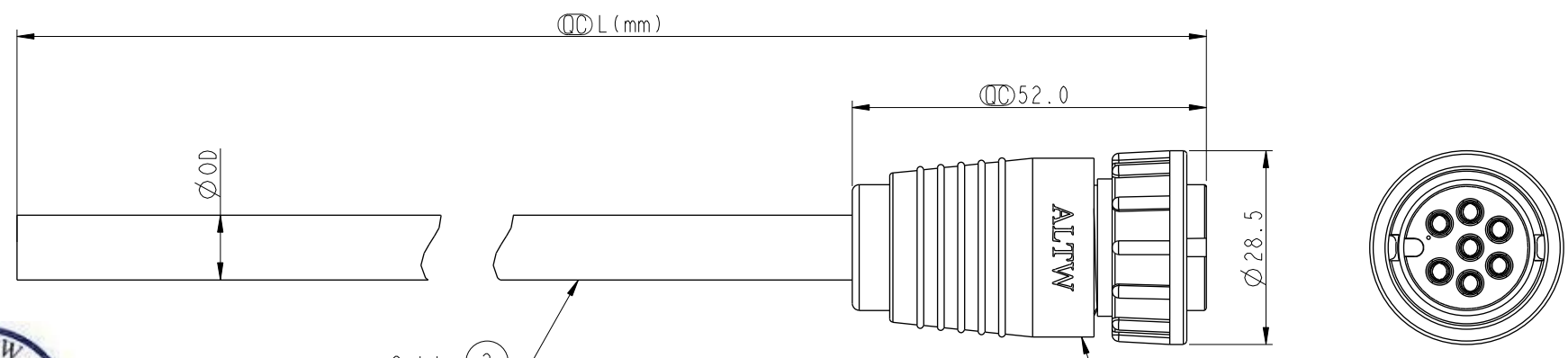


THIS DOCUMENT IS SUBJECT TO CHANGE WITHOUT NOTICE. IT IS CONFIDENTIAL AND A PROPERTY OF Amphenol LTW. DISCLOSURE TO THIRD PARTY HAS TO BE AUTHORIZED BY Amphenol LTW.

REV.	ECN NO.	DATE	SIGN	DESCRIPTION



Cable ②

① ADC-XXBFFM-LL7000
Color: Black

ADC-XXBFFM-LL7AXX
 02: 2Pin
 :
 :
 07: 7Pin

XX : 01~99Meters
 01 : 01Meter
 02 : 02Meters
 :
 :
 99 : 99Meters

Cable Length(L): 01~99Meters

Note:
 * Ⓞ Important Dimension To Check.
 * Waterproof Rate: IP67
 * Housing: Nylon+GF, Black.
 * Female Pin: Copper Alloy, Gold Plated.
 * Cable: UL2464 16AWG+D+AL/My
 PVC Jacket UV Resistant, Black.
 * Cable Length Tolerance: 01M: 40mm
 02M~05M: ±60mm
 06M~10M: ±100mm
 11M~30M: ±200mm
 31M~99M: ±500mm

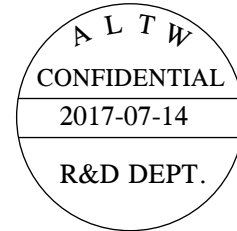
7P	PVC	9.5	16	ADC-07BFFM-LL7AXX
6P		9.5		ADC-06BFFM-LL7AXX
5P		7.8		ADC-05BFFM-LL7AXX
4P		7.5		ADC-04BFFM-LL7AXX
3P		7.5		ADC-03BFFM-LL7AXX
2P		5.8		ADC-02BFFM-LL7AXX
Contacts	Cable Jacket	Cable OD	AWG	Item No.

UNIT:mm		TITLE	LARGE CABLE LOCK F CONN F PIN	
TOLERANCE	±0.5	SCALE	1:1	SHEET 1 OF 2
REV.	A	WC-REV.	A.1	Ⓞ: Inspection item

Amphenol LTW
 安費諾亮泰企業股份有限公司

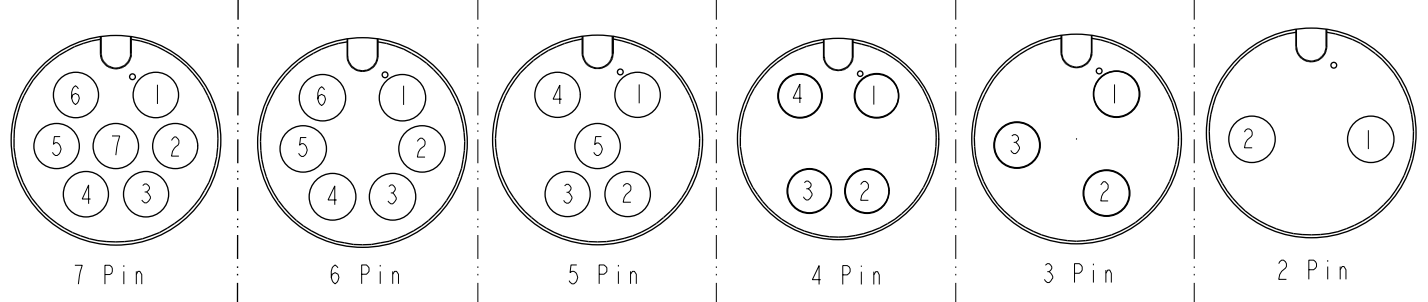
ITEM NO.	DRAWN BY	DATE
DWG NO.	CHECKED BY	DATE
CUSTOMER	APPROVED BY	DATE
ALTW	Ruru	2017-07-14
	Rita	2017-07-14
	Max	2017-07-14

THIS DOCUMENT IS SUBJECT TO CHANGE WITHOUT NOTICE. IT IS CONFIDENTIAL AND A PROPERTY OF AMPHENOL LTW. DISCLOSURE TO THIRD PARTY HAS TO BE AUTHORIZED BY AMPHENOL LTW.



7 Red 紅	6 Gray 灰	5 White 白	4 Orange 橙	3 Black 黑	2 Black 黑
6 Gray 灰	5 Yellow 黃	4 Brown 棕	3 Red 紅	2 Blue 藍	1 Red 紅
5 Yellow 黃	4 Green 綠	3 Blue 藍	2 Brown 棕	1 Brown 棕	
4 Green 綠	3 White 白	2 Black 黑	1 Black 黑		
3 White 白	2 Blue 藍	1 Red 紅			
2 Blue 藍	1 Brown 棕				
1 Brown 棕					
Pin # Wire	Pin # Wire	Pin # Wire	Pin # Wire	Pin # Wire	Pin # Wire

Pin Out



Pin Assignments Front View

UNIT: mm		TITLE LARGE CABLE LOCK F CONN F PIN		Amphenol LTW 安費諾亮泰企業股份有限公司	ITEM NO	DRAWN BY	DATE
		SCALE 1:1	SIZE A4		SHEET 2 OF 2	DWG NO ADC-XXBFFM-LL7AXX	CHECKED BY Rita
TOLERANCE .X ±0.25 .XX ±0.1 .XXX ±0.05 ANGLES ±1°		REV. A	WC-REV. A.1	QC: Inspection item	CUSTOMER ALTW	APPROVED BY Max	DATE 2017-07-14