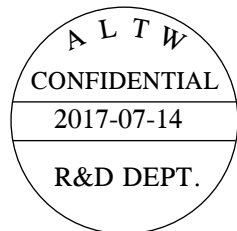
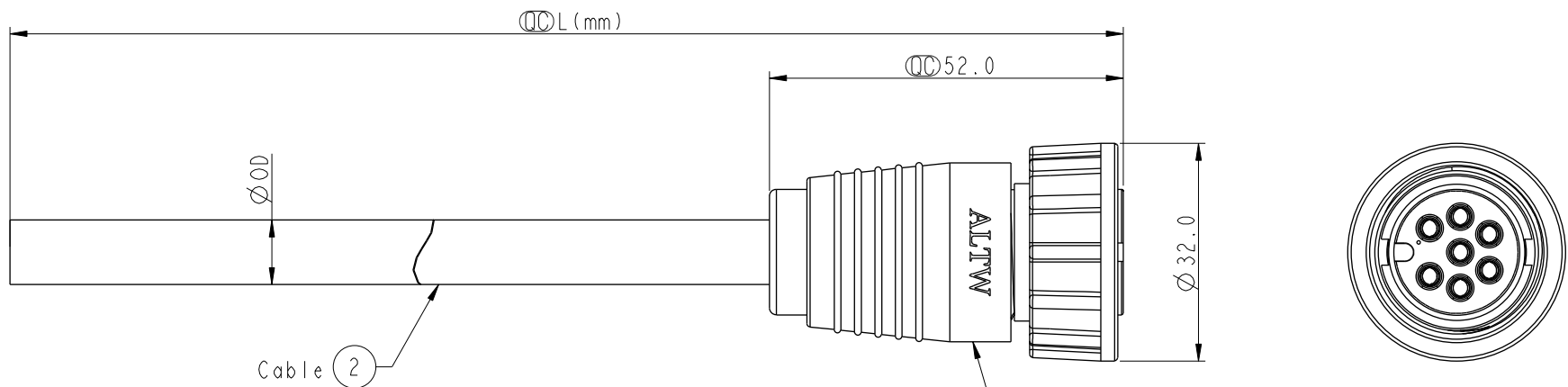


THIS DOCUMENT IS SUBJECT TO CHANGE WITHOUT NOTICE. IT IS CONFIDENTIAL AND A PROPERTY OF Amphenol LTW. DISCLOSURE TO THIRD PARTY HAS TO BE AUTHORIZED BY Amphenol LTW.

REV.	ECN NO.	DATE	SIGN	DESCRIPTION



ADC-~~XX~~BFFM-SL7A~~XX~~

02: 2Pin  
:  
:  
07: 7Pin

XX : 01~99Meters  
01 : 01Meter  
02 : 02Meters  
:  
:  
99 : 99Meters

Cable Length(L): 01~99Meters

Note:

- \*  $\varnothing$  Important Dimension To Check.
- \* Waterproof Rate: IP67
- \* Housing: Nylon+GF, Black.
- \* Female Pin: Copper Alloy, Gold Plated.
- \* Cable: UL2464 16AWG+D+AL/My PVC Jacket UV Resistant, Black.
- \* Cable Length Tolerance: 01M: 40mm  
02M~05M: ±60mm  
06M~10M: ±100mm  
11M~30M: ±200mm  
31M~99M: ±500mm

7P	PVC	9.5	16	ADC-07BFFM-SL7A <del>XX</del>
6P		9.5		ADC-06BFFM-SL7A <del>XX</del>
5P		7.8		ADC-05BFFM-SL7A <del>XX</del>
4P		7.5		ADC-04BFFM-SL7A <del>XX</del>
3P		7.5		ADC-03BFFM-SL7A <del>XX</del>
2P		5.8		ADC-02BFFM-SL7A <del>XX</del>
Contacts	Cable Jacket	Cable OD	AWG	Item No.

UNIT: mm		TITLE LARGE CABLE SCREW F CONN F PIN		
TOLERANCE ±0.5		SCALE 1:1	SIZE A4	SHEET 1 OF 2
REV. A	WC-REV. A.1	$\varnothing$ : Inspection item		

**Amphenol LTW**  
安費諾亮泰企業股份有限公司

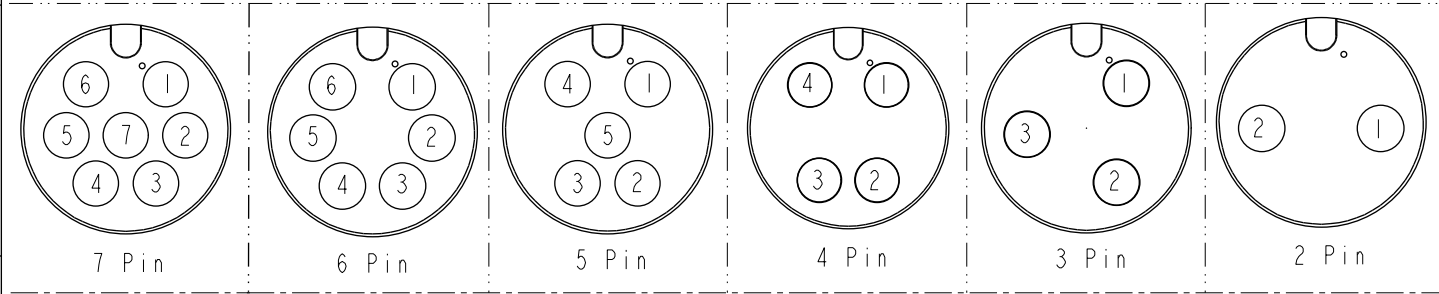
ITEM NO.	DRAWN BY Ruru	DATE 2017-07-14
DWG NO. ADC-XXBFFM-SL7A <del>XX</del>	CHECKED BY Rita	DATE 2017-07-14
CUSTOMER ALTW	APPROVED BY Max	DATE 2017-07-14

THIS DOCUMENT IS SUBJECT TO CHANGE WITHOUT NOTICE. IT IS CONFIDENTIAL AND A PROPERTY OF AMPHENOL LTW. DISCLOSURE TO THIRD PARTY HAS TO BE AUTHORIZED BY AMPHENOL LTW.



7 Red 紅	6 Gray 灰	5 White 白	4 Orange 橙	3 Black 黑	2 Black 黑
6 Gray 灰	5 Yellow 黃	4 Brown 棕	3 Red 紅	2 Blue 藍	1 Red 紅
5 Yellow 黃	4 Green 綠	3 Blue 藍	2 Brown 棕	1 Brown 棕	
4 Green 綠	3 White 白	2 Black 黑	1 Black 黑		
3 White 白	2 Blue 藍	1 Red 紅			
2 Blue 藍	1 Brown 棕				
1 Brown 棕					
Pin # Wire	Pin # Wire	Pin # Wire	Pin # Wire	Pin # Wire	Pin # Wire

Pin Out



Pin Assignments Front View

UNIT: mm  TOLERANCE .X ±0.25 .XX ±0.1 .XXX ±0.05 ANGLES ±1°	TITLE LARGE CABLE SCREW F CONN F PIN		<b>Amphenol LTW</b> 安費諾亮泰企業股份有限公司	ITEM NO	DRAWN BY	DATE
	SCALE 1:1	SIZE A4		SHEET 2 OF 2	DWG NO ADC-XXBFFM-SL7AXX	CHECKED BY Rita
REV. A	WC-REV. A.1	QC: Inspection item		CUSTOMER ALTW	APPROVED BY Max	DATE 2017-07-14