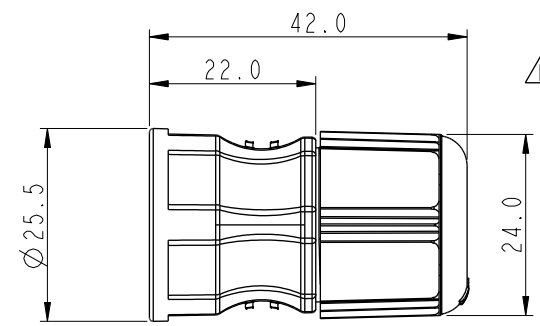
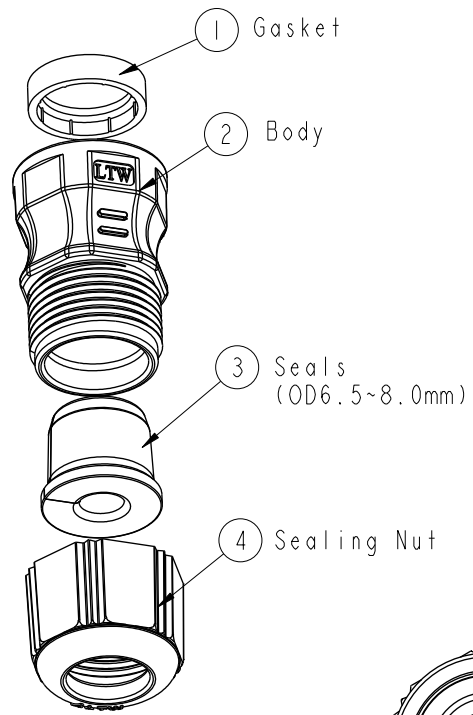


THIS DOCUMENT IS SUBJECT TO CHANGE WITHOUT NOTICE. IT IS CONFIDENTIAL AND A PROPERTY OF AMPHENOL LTW. DISCLOSURE TO THIRD PARTY HAS TO BE AUTHORIZED BY AMPHENOL LTW.

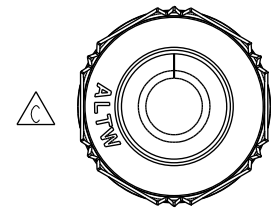
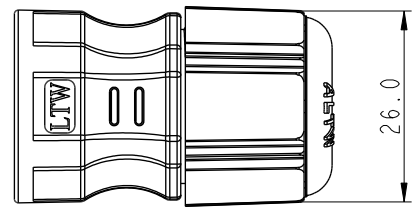
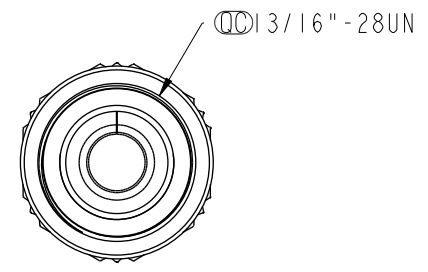
REV.	ECN NO.	DATE	SIGN	DESCRIPTION
B	LE31780335	2017/08/01	Lingpeng	Change The Material Of Body
C	C200210	2020/02/25	Ruru	$\triangle C$ X3
D	C201021	2020/07/09	Wesley Lin	$\triangle D$ X1

ALTW  
CONFIDENTIAL  
2020-02-25  
R&D DEPT.



$\triangle B$   $\triangle C$   $\triangle D$

- Note:
- \*  $\text{CC}$  Important Dimension.
  - \* Waterproof Rating: IP 67
  - \* Cable OD:  $\phi 6.5 \sim \phi 8.0 \text{mm}$
  - \* Gasket: Rubber, Gray.
  - \* Seals: Rubber, Gray.
  - \* Body: Thermoplastic, Black.
  - \* Sealing Nut: Thermoplastic, Black.
  - \*  $\text{CC}$  鎖2~3牙即可
  - \* 線材必須為充實型，建議鎖合力為8~10Kg



UNIT: mm

TOLERANCE	
.X	$\pm 0.25$
.XX	$\pm 0.1$
.XXX	$\pm 0.05$
ANGLES	$\pm 1^\circ$

TITLE CABLE GLAND, 13/16"-28, PC 6.5, 08, BK $\triangle C$			
SCALE	SIZE	SHEET	OF
1:1	A4	1	1
REV.	WC-REV.	$\text{CC}$ : Inspection item	
D	.0		

Amphenol LTW

安費諾亮泰企業股份有限公司

ITEM NO	CSG-CSP003	DRAWN BY	Lingpeng	DATE	2017-08-01
DWG NO	CSG-CSP003	CHECKED BY	MaFei	DATE	2017-08-01
CUSTOMER	ALTW	APPROVED BY	Jerry	DATE	2017-08-01