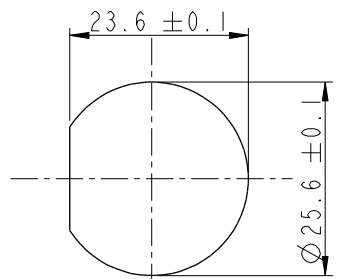
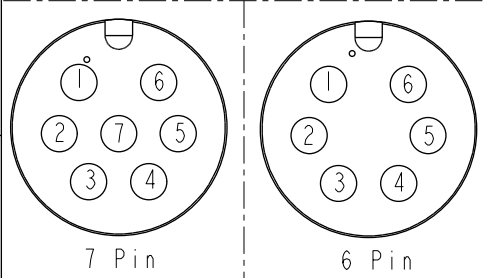
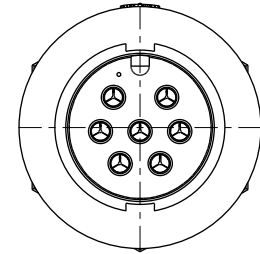
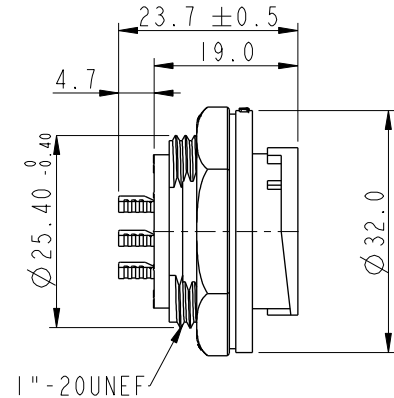
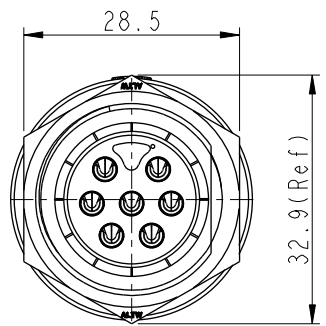


THIS DOCUMENT IS SUBJECT TO CHANGE WITHOUT NOTICE. IT IS CONFIDENTIAL AND A PROPERTY OF AMPHENOL LTW. DISCLOSURE TO THIRD PARTY HAS TO BE AUTHORIZED BY AMPHENOL LTW.

REV.	ECN NO.	DATE	SIGN	DESCRIPTION
B	C190347	2019/03/06	Vicky	Change Note



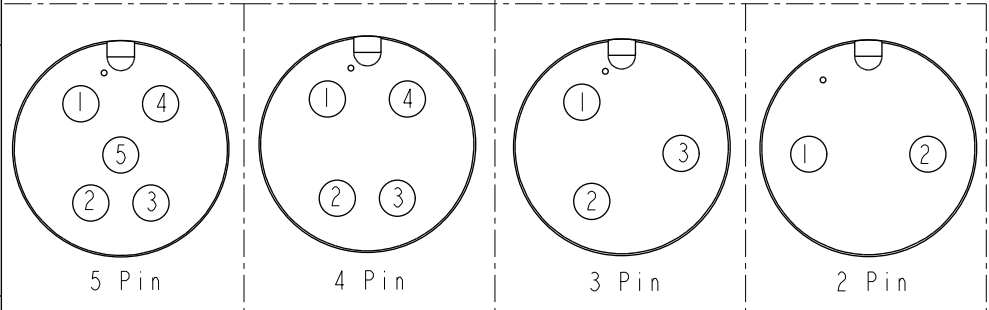
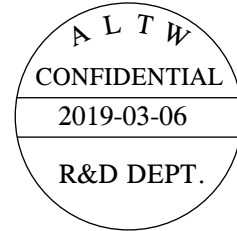
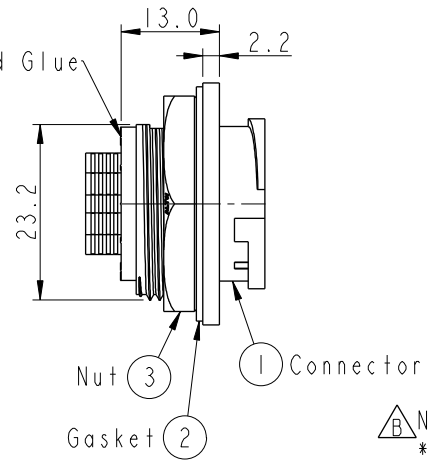
Recommended Panel Cut-Out



Pin Assignments Front View

ADC-XXRMS-LC7001
 02: 2Pin
 ...
 07: 7Pin

With Liquid Glue



Pin Assignments Front View

- Note:**
- * (C) Important Dimension To Check.
 - * Waterproof Rate: IP67, Unmated.
 - * Housing: Thermoplastic, Black.
 - * Pin: Copper Alloy, Gold Plated.
 - * Nut: Thermoplastic, Black.
 - * Gasket: Rubber, Gray.
 - * Maximum Panel Thickness: 3.0mm
 - * Gasket and Nut are packed separately in PE bags. (Gasket/Nut不組裝·散裝出貨)

UNIT: mm		TITLE LARGE PANEL LOCK M CONN M PIN			
TOLERANCE	.X ±0.25	SCALE	1:1	SIZE	A4
	.XX ±0.1	REV.	B	WC-REV.	A.2
	.XXX ±0.05	SHEET 1 OF 1			
ANGLES	±1°	QC: Inspection item			

Amphenol LTW
 安費諾亮泰企業股份有限公司

ITEM NO	DRAWN BY	DATE
DWG NO	CHECKED BY	DATE
CUSTOMER	APPROVED BY	DATE
	Vicky	2019-03-06
	Rita	2019-03-06
	Max	2019-03-06