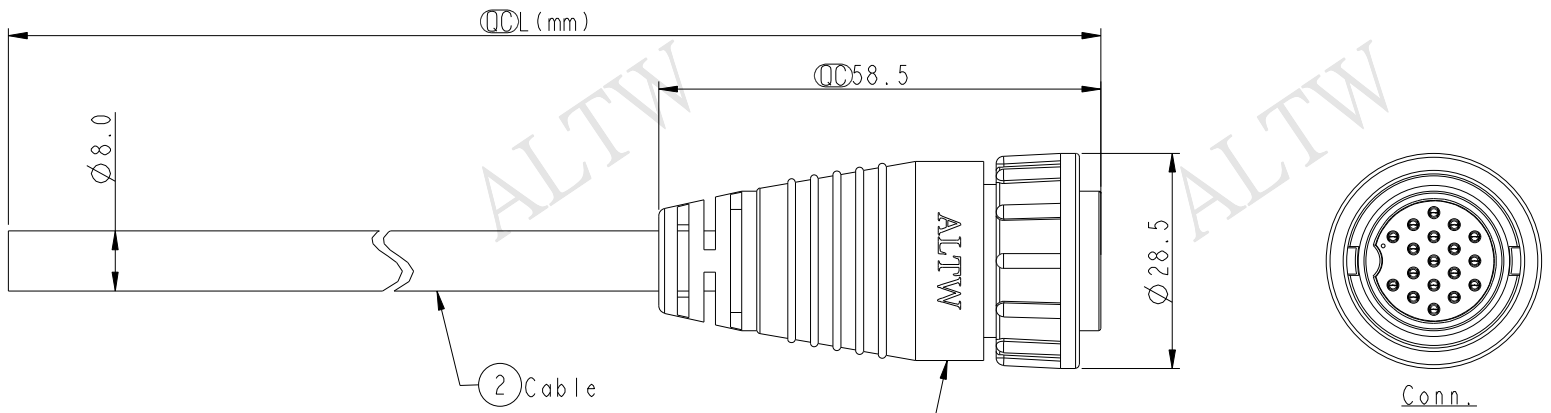


THIS DOCUMENT IS SUBJECT TO CHANGE WITHOUT NOTICE. IT IS CONFIDENTIAL AND A PROPERTY OF Amphenol LTW. DISCLOSURE TO THIRD PARTY HAS TO BE AUTHORIZED BY Amphenol LTW.

REV.	ECN NO.	DATE	SIGN	DESCRIPTION
B	LEN1590476	2015/08/18	Jinhai	Change Pin Out



ALTW  
CONFIDENTIAL  
2015-08-18  
R&D DEPT.

ALTW  
DCC. DEPT.  
CONFIDENTIAL  
2015.09.25  
ISSUED

18	Blue/White	藍/白
17	Green/White	綠/白
16	Orange/White	橙/白
15	Red/White	紅/白
14	Brown/White	棕/白
13	Black/White	黑/白
12	Light Green	淺綠
11	Purple	紫
10	Orange	橙
9	Black	黑
8	Red	紅
7	Pink	粉
6	Gray	灰
5	Yellow	黃
4	Green	綠
3	White	白
2	Blue	藍
1	Brown	棕
Conn.	Wire Color	
Pin Out		

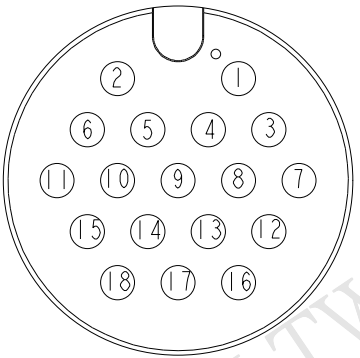
ADD-18AFMM-LL7000  
Color: Black

ADD-18AFMM-LL7AXX

XX : 01~99Meters  
01 : 01Meter  
02 : 02Meters  
:  
:  
:  
99 : 99Meters

Cable Length(L): 01~99Meters

Note:  
 \*  $\varnothing$  Important Dimension To Check.  
 \* Waterproof Rate: IP67  
 \* Housing: Nylon+GF, Black.  
 \* Male Pin: Copper Alloy, Gold Plated.  
 \* Lock Nut: Nylon+GF, Black.  
 \* Cable: UL2464 24AWG\*18C+D+AL/My  
 PVC Jacket UV Resistant, OD=8.0, Black.  
 \* Cable Length Tolerance: 01M: 40mm  
 02M~05M: ±60mm  
 06M~10M: ±100mm  
 11M~30M: ±200mm  
 31M~99M: ±500mm



Pin Assignments  
Front View

UNIT:mm		
TOLERANCE	±0.5	

TITLE LARGE CABLE LOCK 18PIN F CONN M PIN			
SCALE 1:1	SIZE A4	SHEET 1 OF 1	
REV. B	WC-REV. A.1	$\varnothing$ : Inspection item	

**Amphenol LTW**  
安費諾亮泰企業股份有限公司

ITEM NO	DRAWN BY Jinhai	DATE 2015-08-18
DWG NO ADD-18AFMM-LL7AXX	CHECKED BY Rensong	DATE 2015-08-18
CUSTOMER ALTW	APPROVED BY Jerry	DATE 2015-08-18