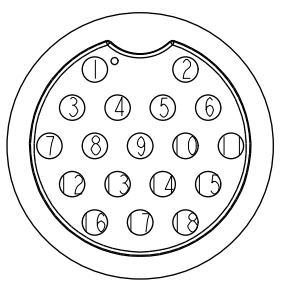
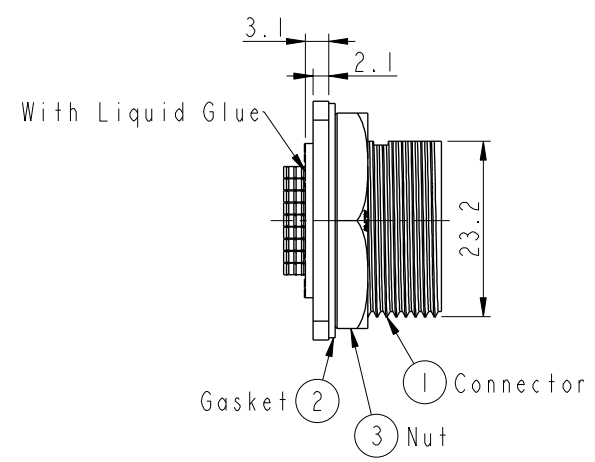
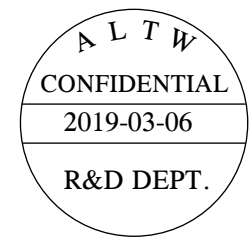
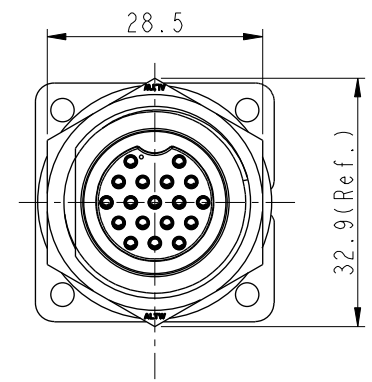
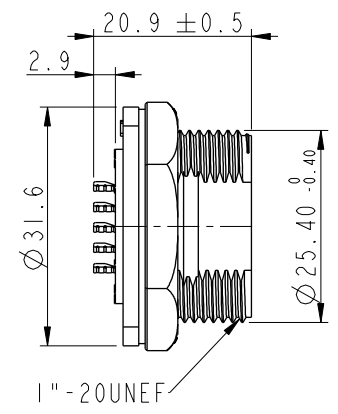
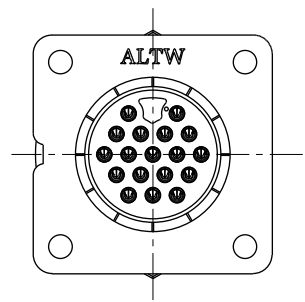
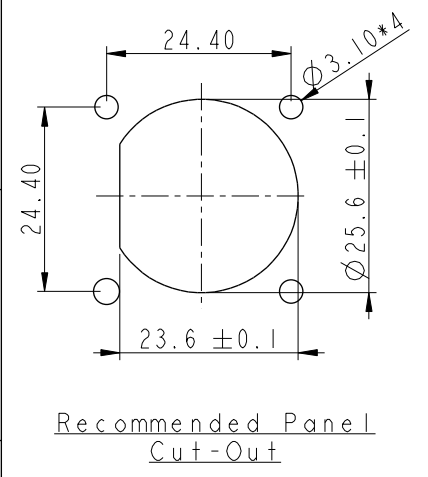


THIS DOCUMENT IS SUBJECT TO CHANGE WITHOUT NOTICE. IT IS CONFIDENTIAL AND A PROPERTY OF AMPHENOL LTW. DISCLOSURE TO THIRD PARTY HAS TO BE AUTHORIZED BY AMPHENOL LTW.

REV.	ECN NO.	DATE	SIGN	DESCRIPTION
B	C190347	2019/03/06	Vicky	Change Note



Pin Assignments Front View

- Note:**
- \* Important Dimension To Check.
  - \* Waterproof Rate: IP67, Unmated.
  - \* Housing: Thermoplastic, Black.
  - \* Pin: Copper Alloy, Gold Plated.
  - \* Nut: Thermoplastic, Black.
  - \* Gasket: Rubber, Gray.
  - \* Use with waterproof cap or dust cap  
Maximum Panel Thickness: 1.8mm
  - \* Use without waterproof cap or dust cap  
Maximum Panel Thickness: 3.0mm
  - \* Gasket and Nut are packed separately in PE bags. (Gasket/Nut 不組裝, 散裝出貨)

UNIT: mm		
TOLERANCE	.X ±0.25	.XX ±0.1
.XXX ±0.05		
ANGLES	±1°	

TITLE LARGE PANEL SCREW 18P M CONN F PIN			
SCALE 1:1	SIZE A4	SHEET 1 OF 1	
REV. B	WC-REV. A.1	Inspection item	

**Amphenol LTW**  
安費諾亮泰企業股份有限公司

ITEM NO. ADD-18PMFS-SS7001	DRAWN BY Vicky	DATE 2019-03-06
DWG NO. ADD-18PMFS-SS7001	CHECKED BY Rita	DATE 2019-03-06
CUSTOMER ALTW	APPROVED BY Max	DATE 2019-03-06