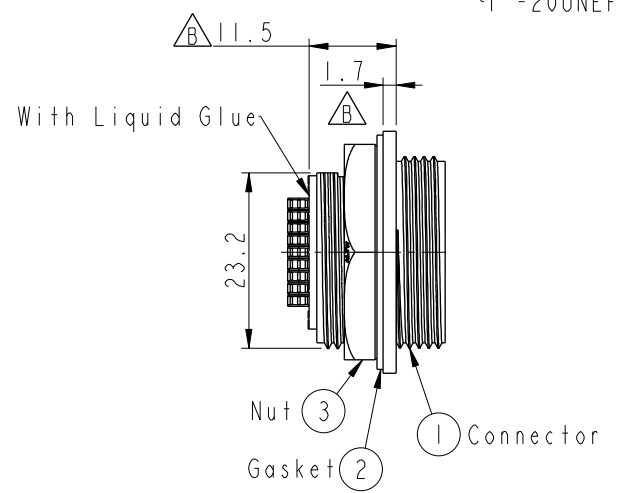
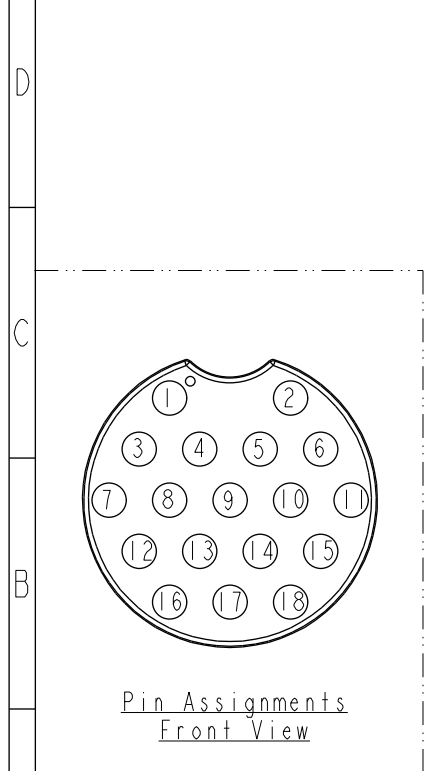
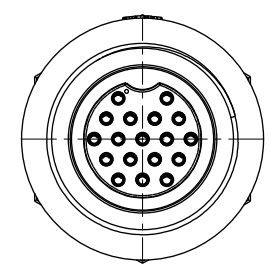
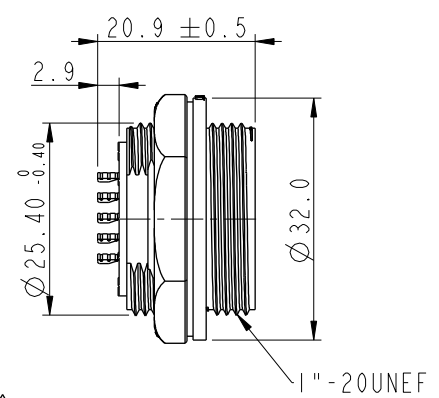
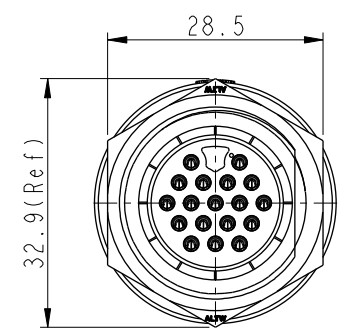
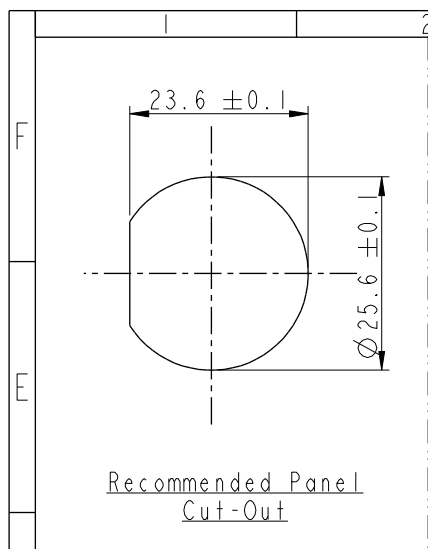


THIS DOCUMENT IS SUBJECT TO CHANGE WITHOUT NOTICE. IT IS CONFIDENTIAL AND A PROPERTY OF AMPHENOL LTW. DISCLOSURE TO THIRD PARTY HAS TO BE AUTHORIZED BY AMPHENOL LTW.

REV.	ECN NO.	DATE	SIGN	DESCRIPTION
B	LEN1830056	2018/02/26	Lingpeng	Change The Design
C	CI90347	2019/03/11	Vicky	Change Note



- Note:**
- \*  $\text{Ⓞ}$  Important Dimension To Check.
  - \* Waterproof Rate: IP67, Unmated.
  - \* Housing: Thermoplastic, Black.
  - \* Pin: Copper Alloy, Gold Plated.
  - \* Nut: Thermoplastic, Black.
  - \* Gasket: Rubber, Gray.
  - \* Maximum Panel Thickness: 3.0mm
  - \* Gasket and Nut are packed separately in PE bags. (Gasket/Nut不組裝, 散裝出貨)

UNIT:mm TOLERANCE $\text{Ⓜ}$ ±0.5mm	TITLE LARGE PANEL SCREW 18P M CONN F PIN			Amphenol LTW 安費諾亮泰企業股份有限公司	ITEM NO ADD-18RMFS-SC7001	DRAWN BY Vicky	DATE 2019-03-11
	SCALE 1:1	SIZE A4	SHEET 1 OF 1		DWG NO ADD-18RMFS-SC7001	CHECKED BY Rita	DATE 2019-03-11
	REV. C	WC-REV. A.1	$\text{Ⓞ}$ : Inspection item		CUSTOMER ALTW	APPROVED BY Max	DATE 2019-03-11