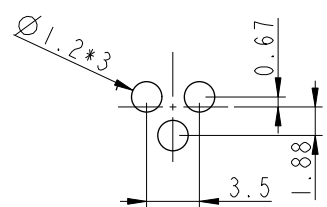
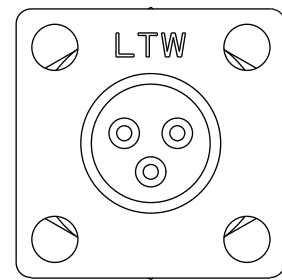
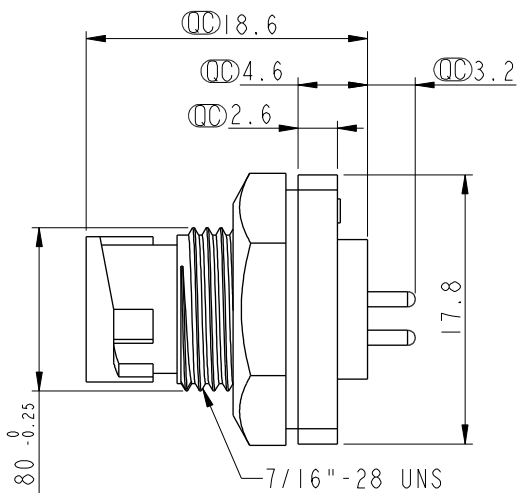
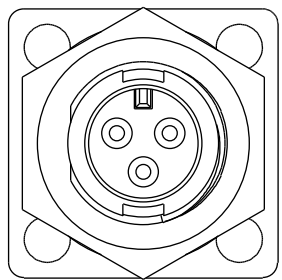
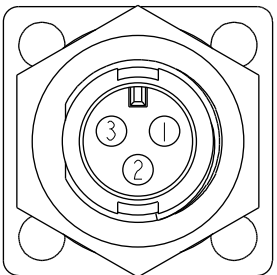


ALTW
CONFIDENTIAL
2019-02-18
R&D DEPT.

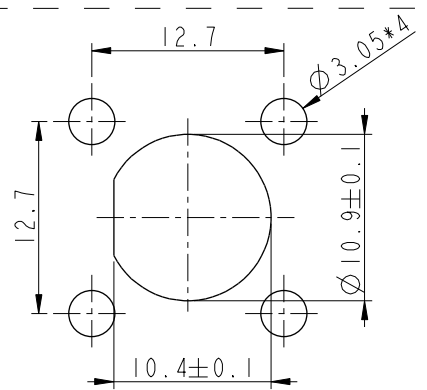
REV.	ECN NO.	DATE	SIGN	DESCRIPTION
B	C190268	2019/02/18	Ruru	Modify Note



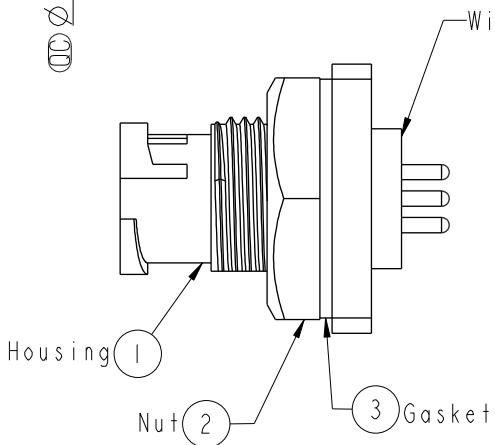
PCB Layout



Pin Assignments
Front View



Recommended Panel Cut-Out



Note: $\triangle B$

- * ⌀ Important Dimension.
- * Waterproof Rate: IP67, Unmated
- * Housing: Thermoplastic, Black
- * Pin: Copper Alloy, Gold Plated
- * Shield: Metal, Nickel Plated
- * Nut: Metal, Nickel Plated
- * Gasket: Rubber, Black
- * Use with waterproof cap or dust cap
Panel Thickness Max. 2.5mm.
- * Use without waterproof cap or dust cap
Panel Thickness Max. 3.5mm.
- * Gasket and Nut are packed separately
in PE bags.

UNIT:mm	⌀	⌀
TOLERANCE		
.X	±0.25	
.XX	±0.1	
.XXX	±0.05	
ANGLES	±1°	

TITLE Mini Panel Lock 3Pin M Conn. M Pin			
SCALE 2:1	SIZE A4	SHEET 1 OF 1	
REV. B	WC-REV. A.1	⌀ : Inspection item	

Amphenol LTW
安費諾亮泰企業股份有限公司

ITEM NO ASD-03PMMP-LS7002	DRAWN BY Ruru	DATE 2019-02-18
DWG NO ASD-03PMMP-LS7002	CHECKED BY Rita	DATE 2019-02-18
CUSTOMER ALTW	APPROVED BY Max	DATE 2019-02-18

THIS DOCUMENT IS SUBJECT TO CHANGE WITHOUT NOTICE. IT IS CONFIDENTIAL AND A PROPERTY OF Amphenol LTW. DISCLOSURE TO THIRD PARTY HAS TO BE AUTHORIZED BY Amphenol LTW.