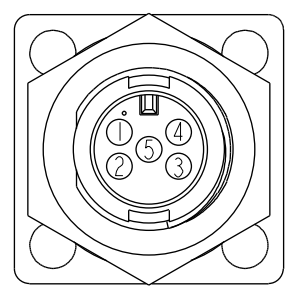
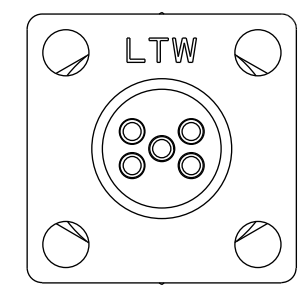
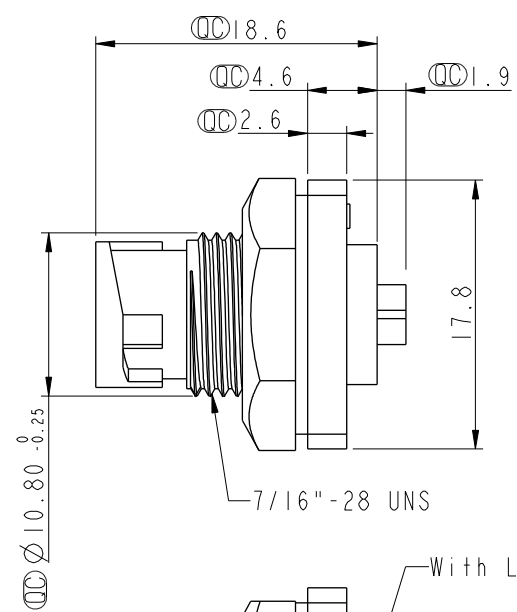
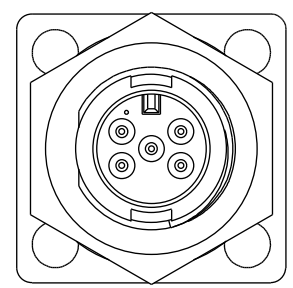


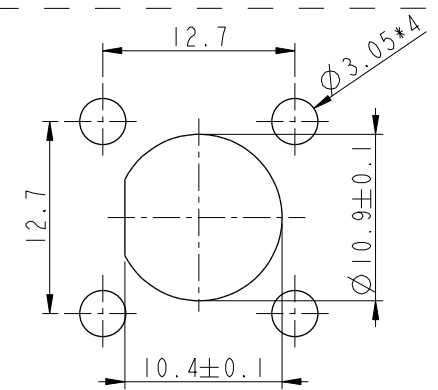
THIS DOCUMENT IS SUBJECT TO CHANGE WITHOUT NOTICE. IT IS CONFIDENTIAL AND A PROPERTY OF AMPHENOL LTW. DISCLOSURE TO THIRD PARTY HAS TO BE AUTHORIZED BY AMPHENOL LTW.

REV.	ECN NO.	DATE	SIGN	DESCRIPTION
B	C190268	2019/02/18	Ruru	Modify Note

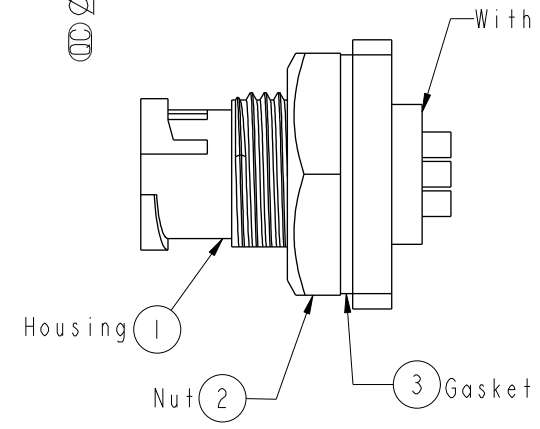
**ALTW**  
 CONFIDENTIAL  
 2019-02-18  
 R&D DEPT.



Pin Assignments  
Front View



Recommended Panel Cut-Out



Note:  $\triangle B$

- \*  $\text{⌀}$  Important Dimension.
- \* Waterproof Rate: IP67, Unmated
- \* Housing: Thermoplastic, Black
- \* Pin: Copper Alloy, Gold Plated
- \* Shield: Metal, Nickel Plated
- \* Nut: Metal, Nickel Plated
- \* Gasket: Rubber, Black
- \* Use with waterproof cap or dust cap  
Panel Thickness Max. 2.5mm.
- \* Use without waterproof cap or dust cap  
Panel Thickness Max. 3.5mm.
- \* Gasket and Nut are packed separately  
in PE bags.

UNIT: mm			TITLE Mini Panel Lock 5Pin M Conn. M Pin		ITEM NO	ASU-05PMMS-LS7002	DRAWN BY	Ruru	DATE	2019-02-18		
	TOLERANCE .X ±0.25 .XX ±0.1 .XXX ±0.05 ANGLES ±1°		SCALE	2:1	SIZE	A4	CHECKED BY	Rita	DATE	2019-02-18		
	REV. B		WC-REV.	A.1	SHEET	1	OF	1	APPROVED BY	Max	DATE	2019-02-18
	$\text{⌀}$ : Inspection item		CUSTOMER ALTW		DWG NO ASU-05PMMS-LS7002		DATE 2019-02-18		DATE 2019-02-18			

**Amphenol LTW**  
 安費諾亮泰企業股份有限公司